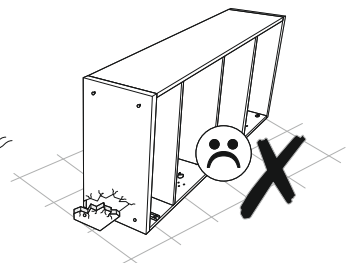
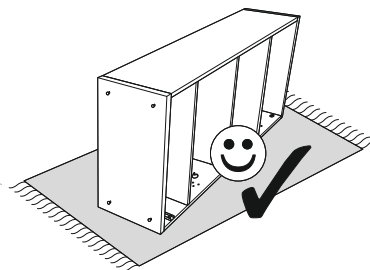
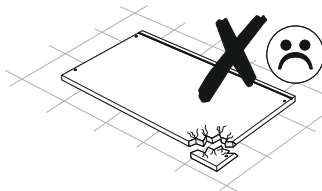
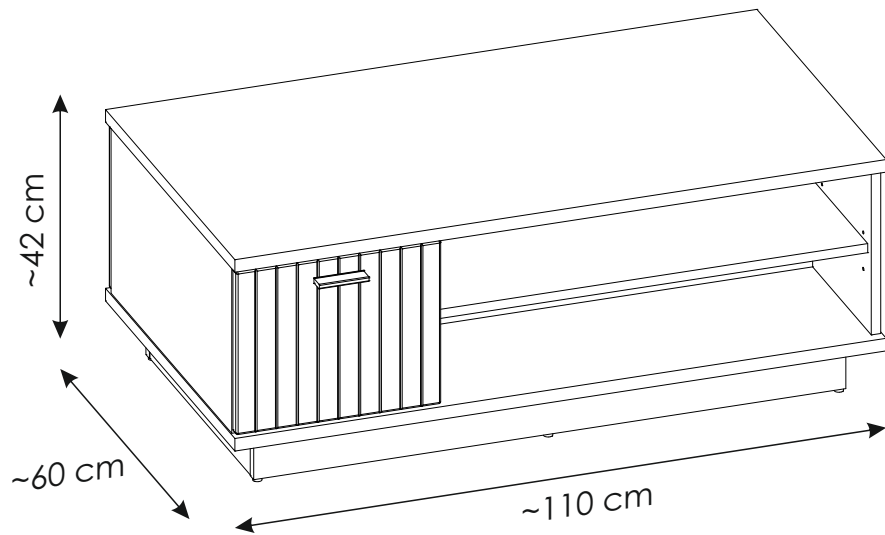
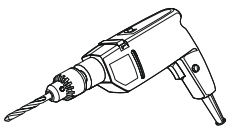
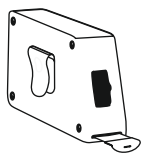
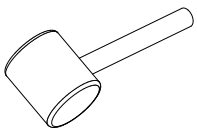
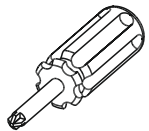
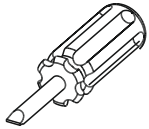
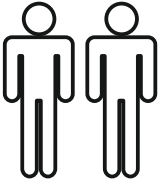


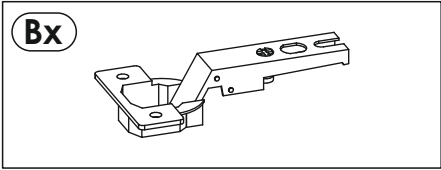
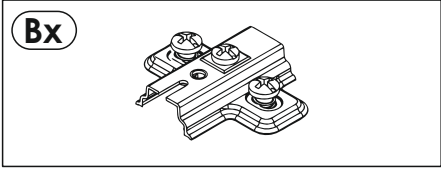
# ALVT01



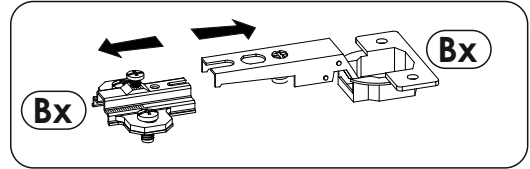
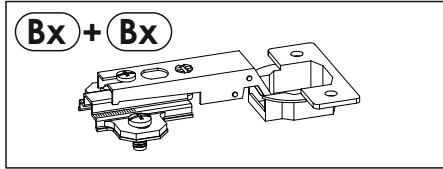




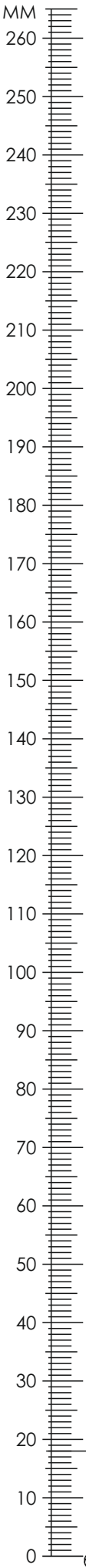
version A


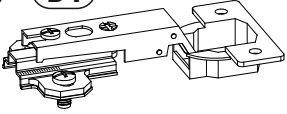
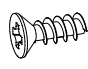



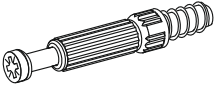

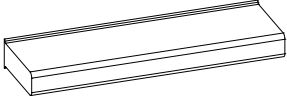

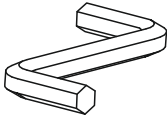

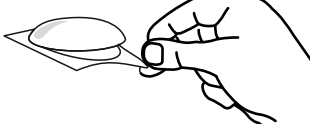
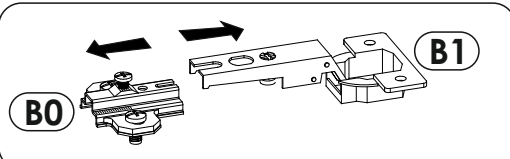


version B

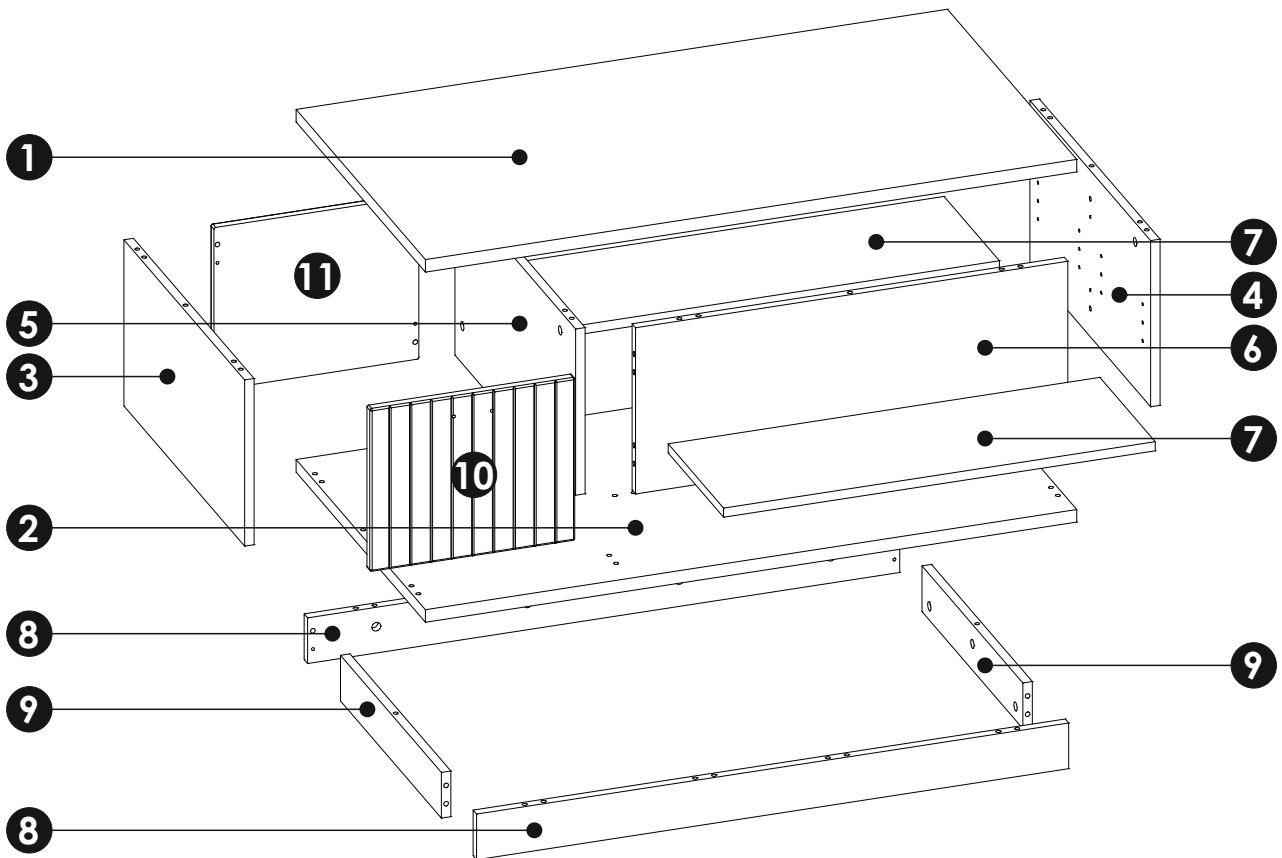
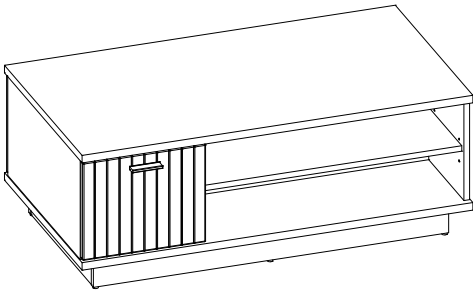


# ALVT01



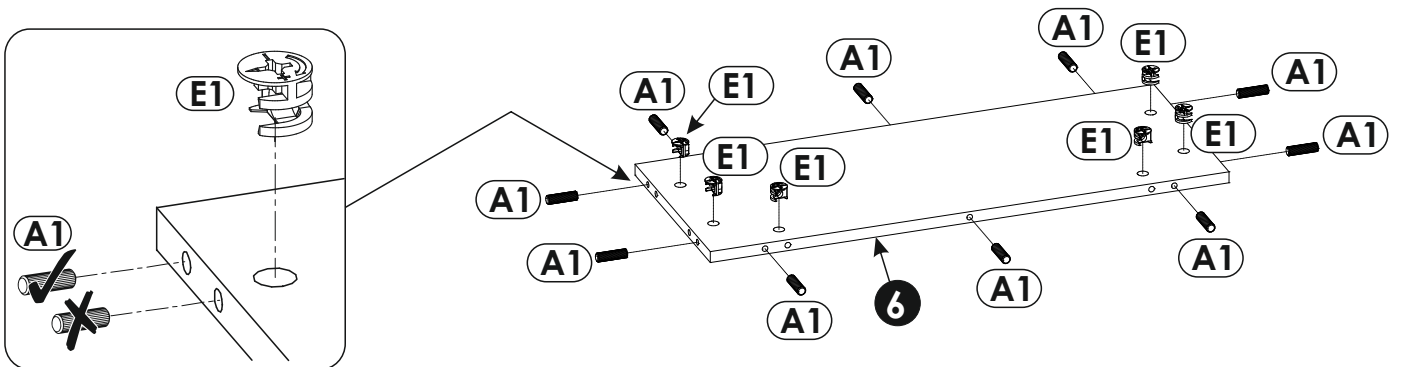
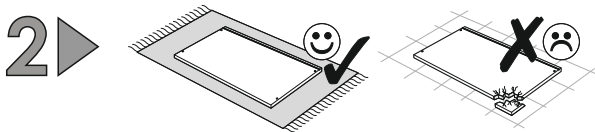
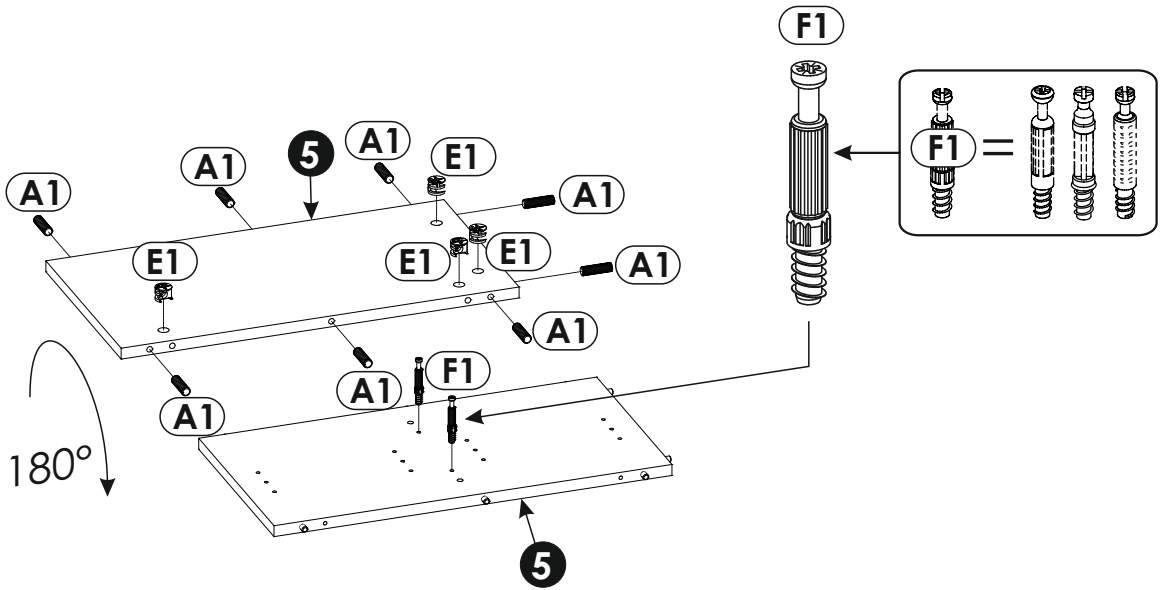
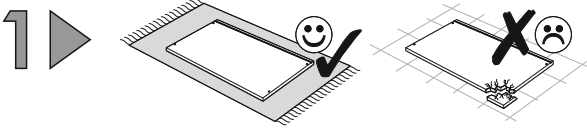
<b>A1</b> 8 x 35 mm x44 	<b>B0 + B1</b> x2 	<b>C2</b> 5 x 13 mm x4 
<b>D6</b> x8 	<b>E0</b> Ø16 x16 	<b>E1</b> 15 x 12 mm x30 
<b>F1</b> 6 x 34 mm x30 	<b>G1</b> 7 x 50 mm x8 	<b>H1</b> x1  L - 84 mm
<b>I5</b> 3,5 x 27 mm x2 	<b>M</b> x1 	<b>O2</b> x6 
<b>R8</b> x2 		

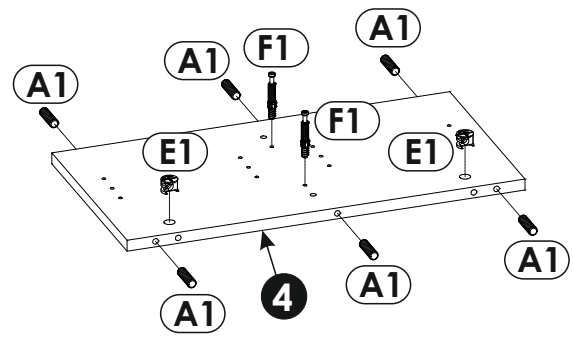
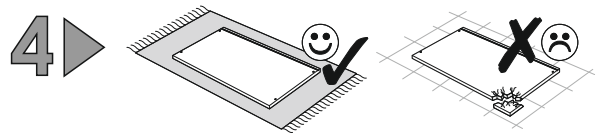
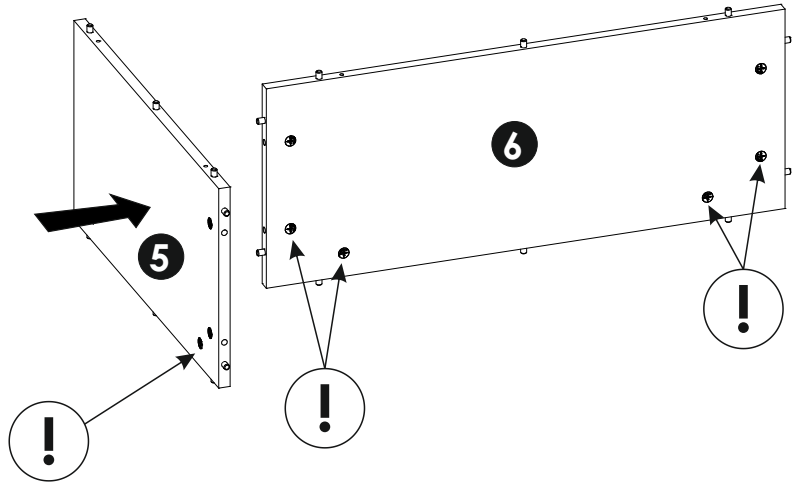
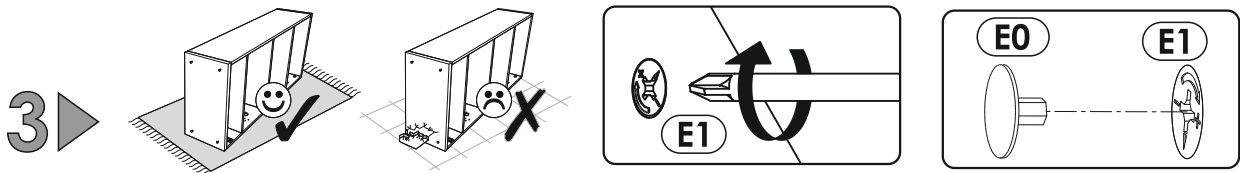
# ALVT01

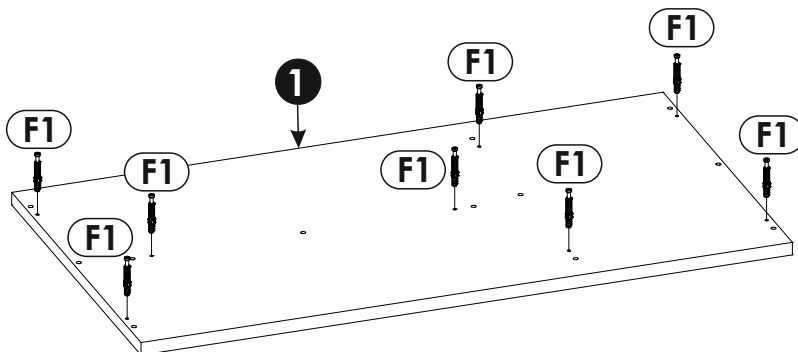
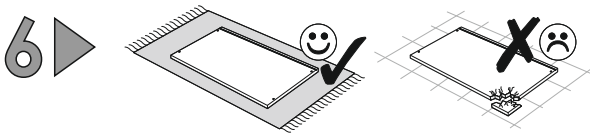
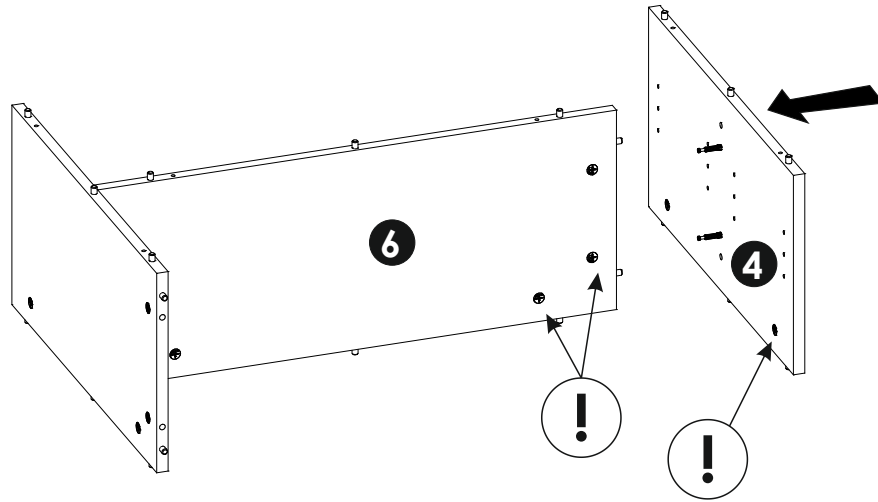
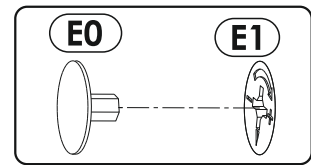
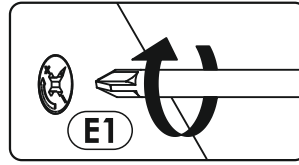
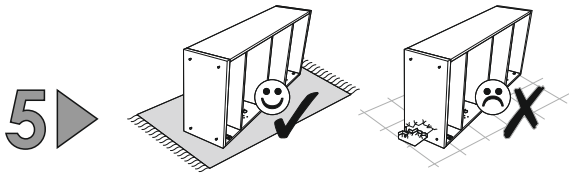


<b>1</b>	1100	600	22	x1	2/2
<b>2</b>	1100	600	22	x1	2/2
<b>3</b>	291	560	16	x1	1/2
<b>4</b>	291	560	16	x1	1/2
<b>5</b>	291	560	16	x1	1/2
<b>6</b>	291	730	16	x1	2/2

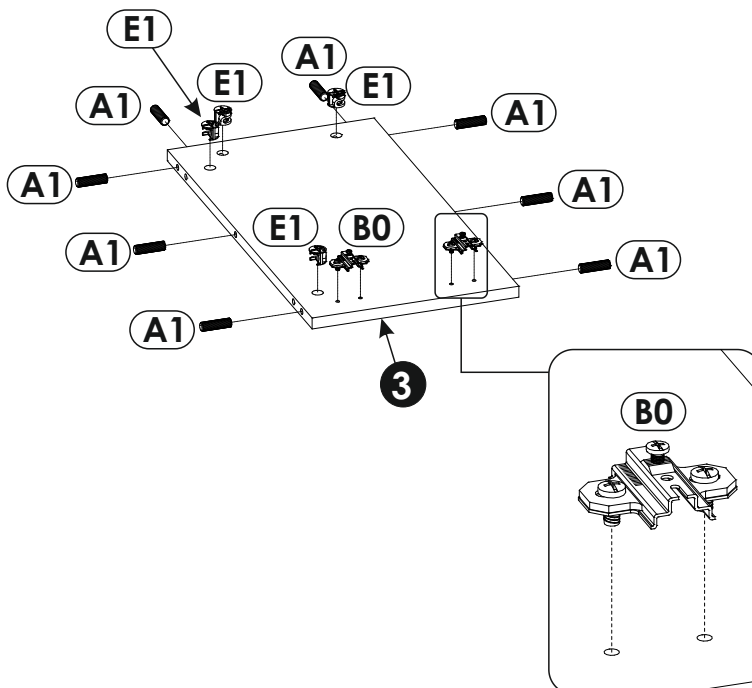
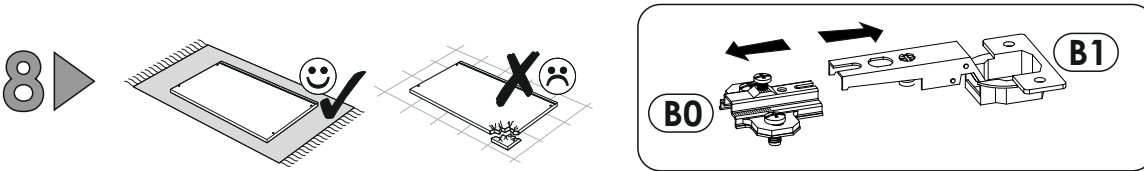
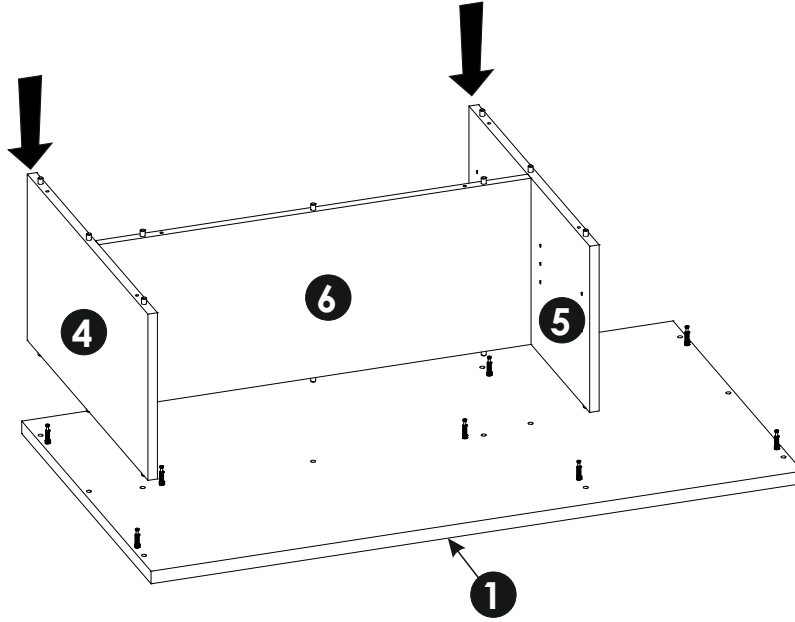
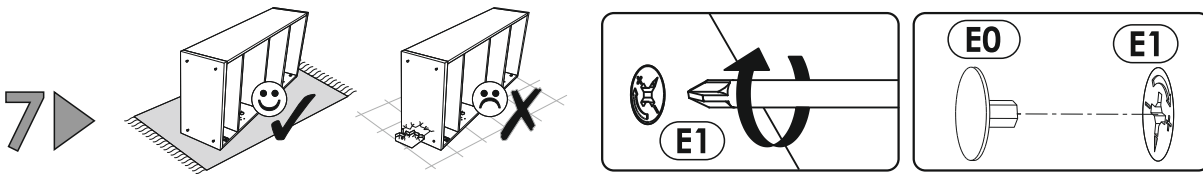
<b>7</b>	729	257	16	x2	1/2
<b>8</b>	1000	80	16	x2	2/2
<b>9</b>	468	80	16	x2	2/2
<b>10</b>	285	346	16	x1	1/2
<b>11</b>	285	346	16	x1	1/2

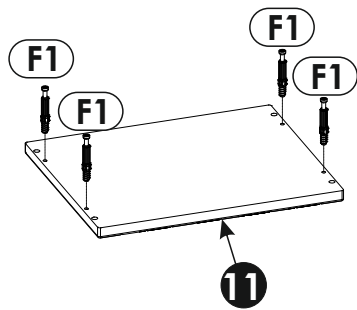
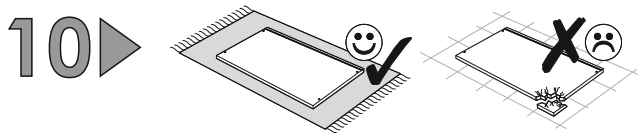
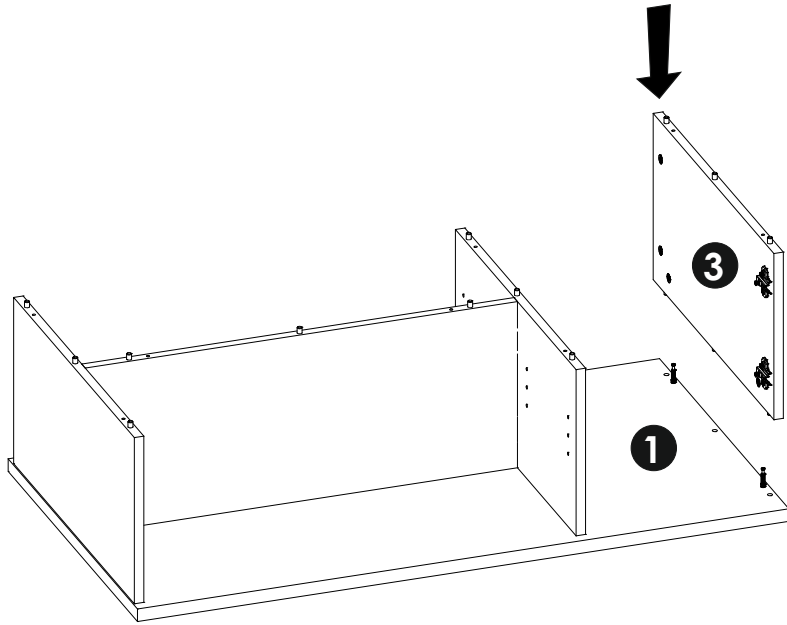
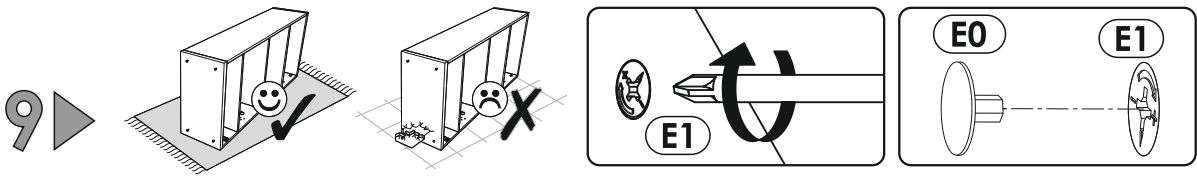




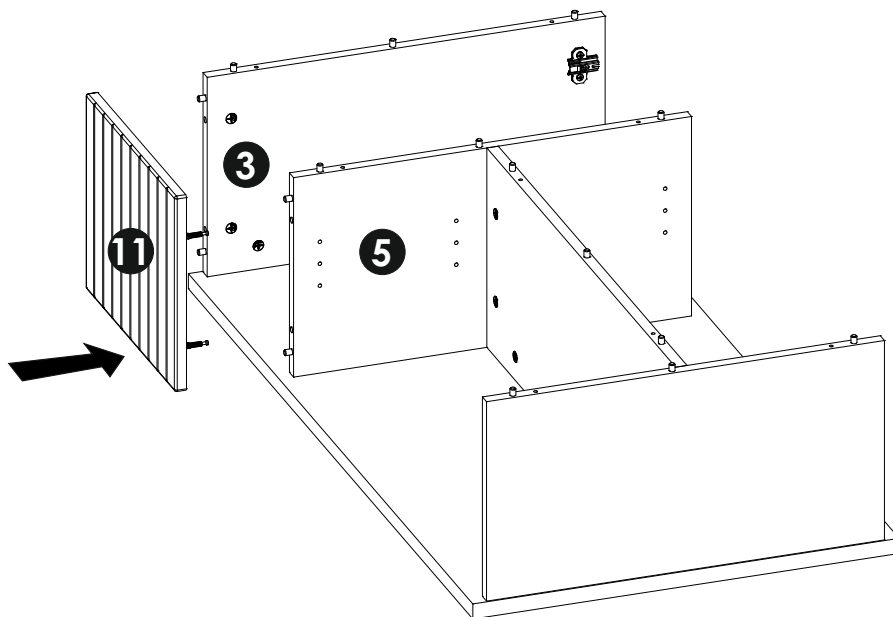
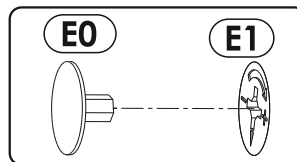
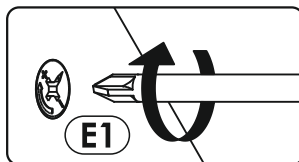
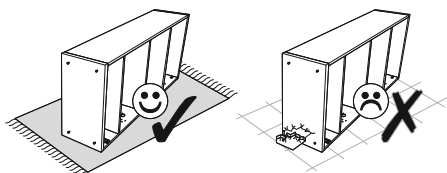




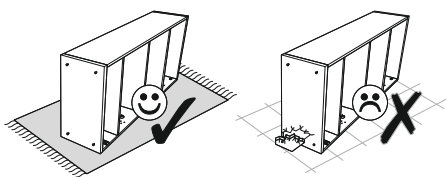




11 ▶



12 ▶



G1

G1

G1

G1

G1

G1

2

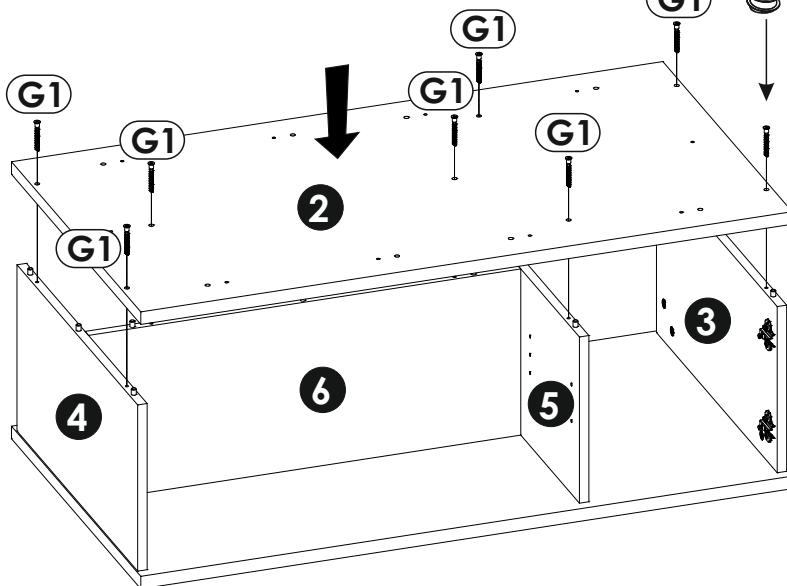
G1

4

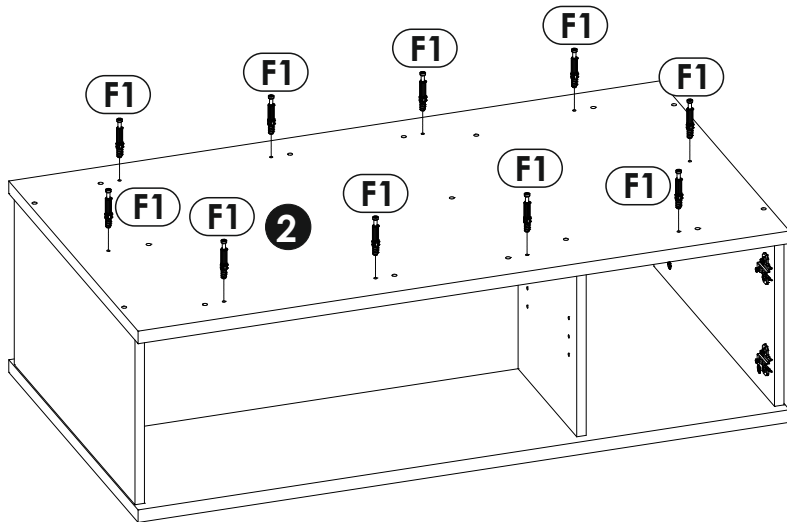
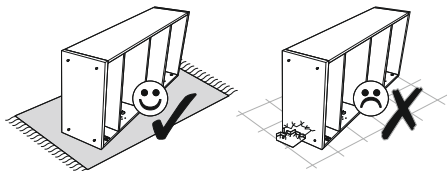
6

5

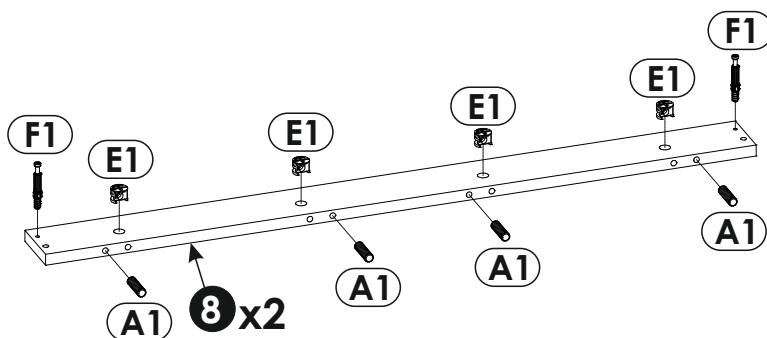
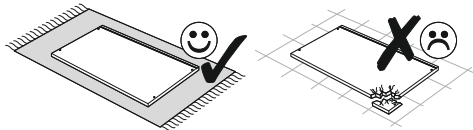
3



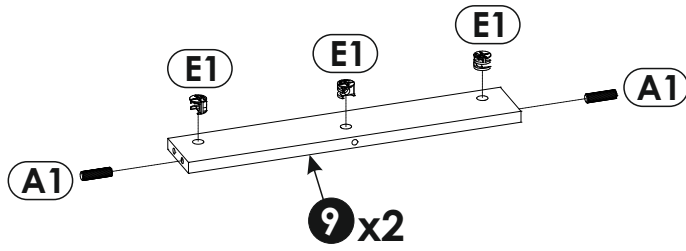
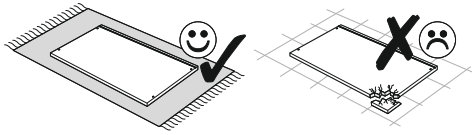
13▶



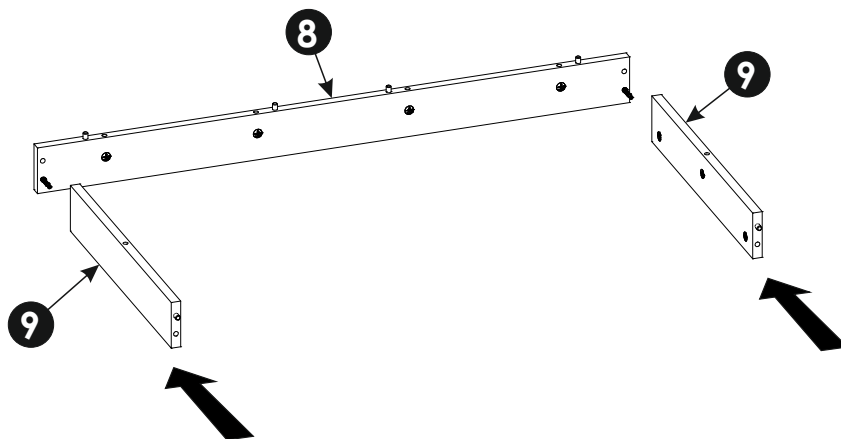
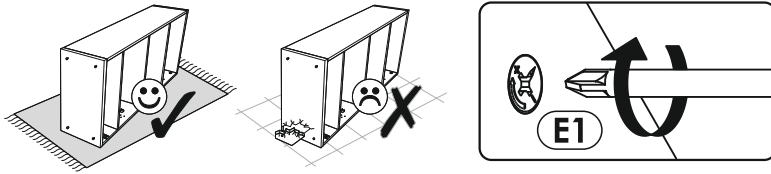
14▶



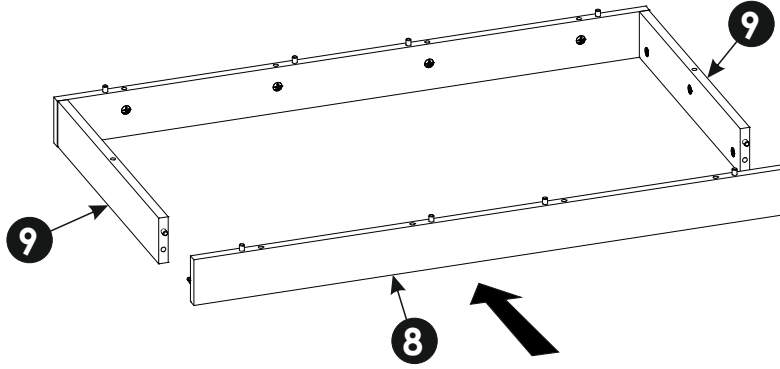
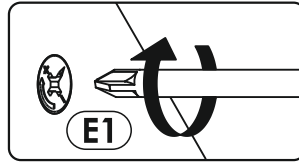
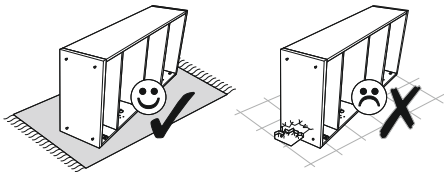
15▶



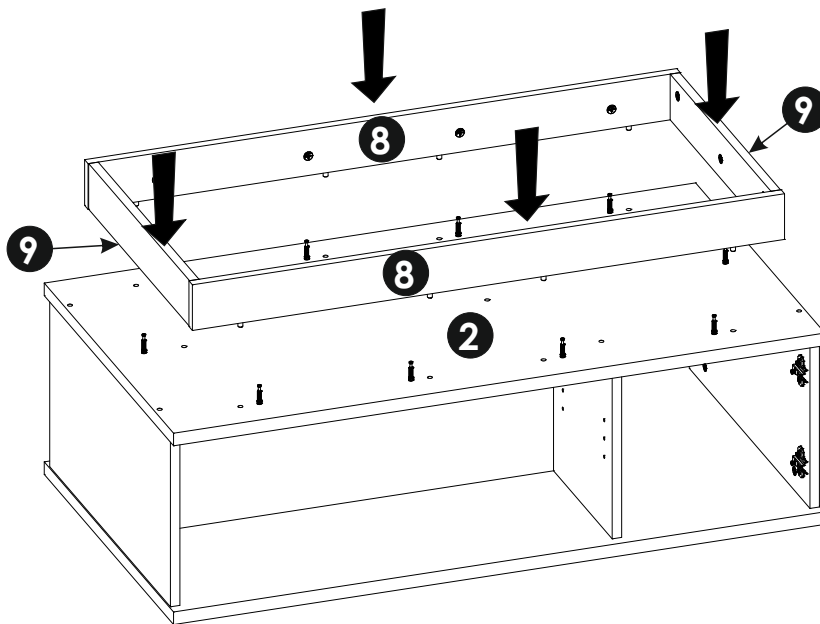
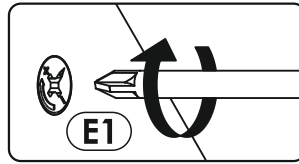
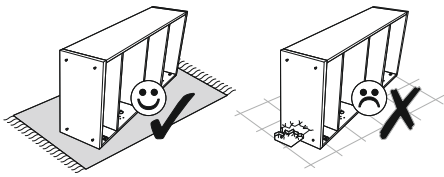
16▶



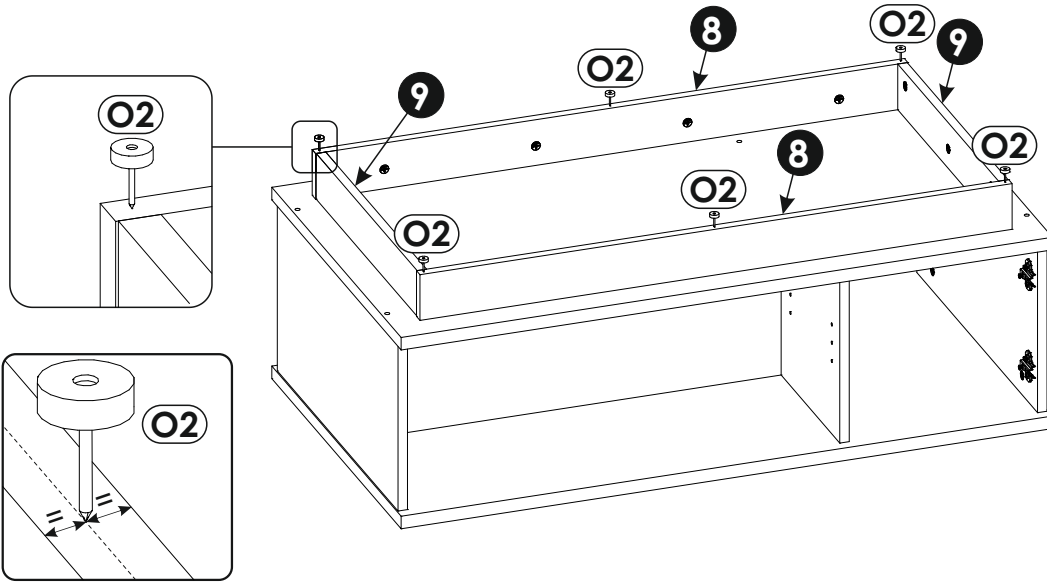
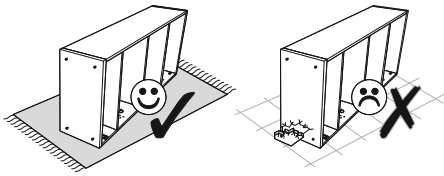
17 ▶



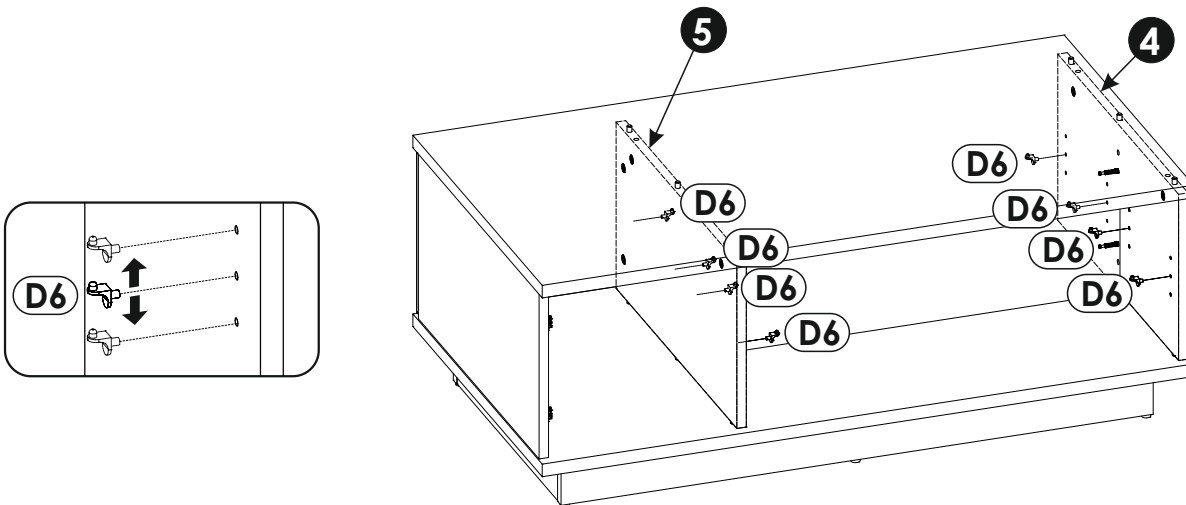
18 ▶

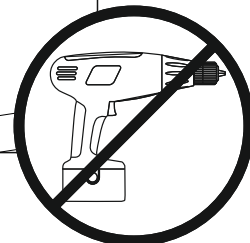
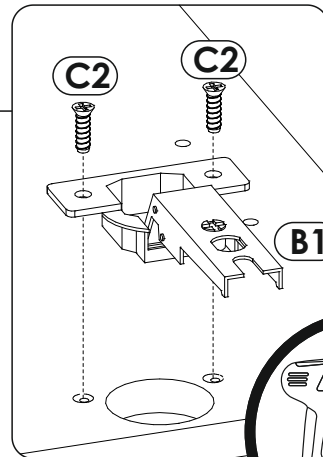
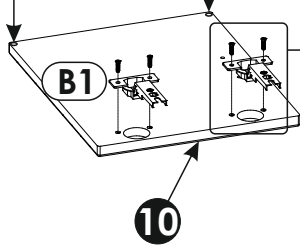
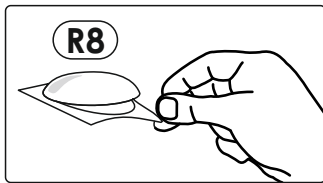
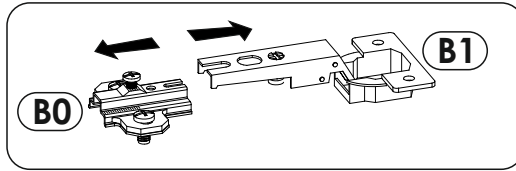
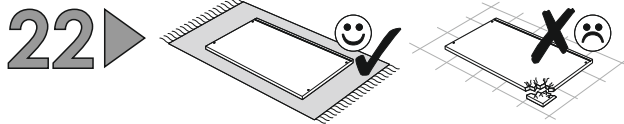
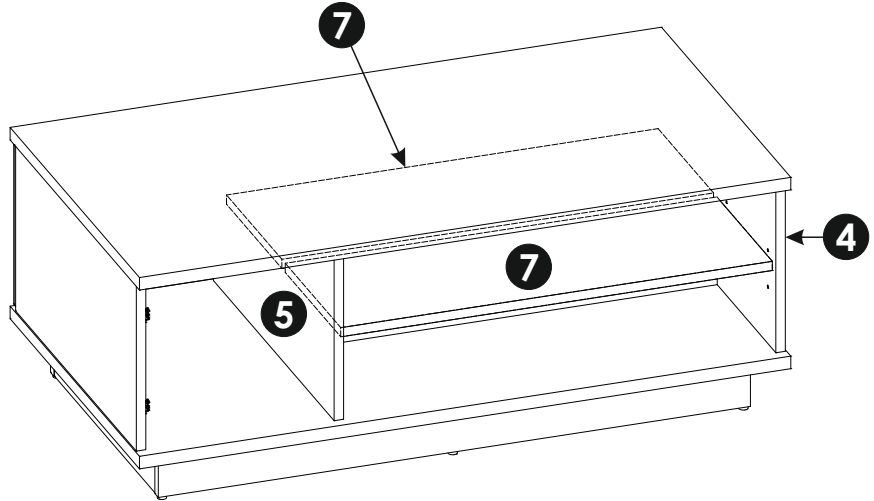
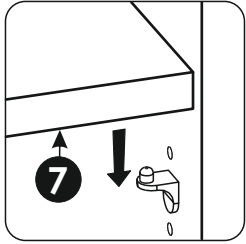
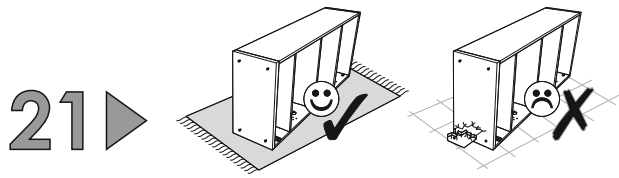


19▶



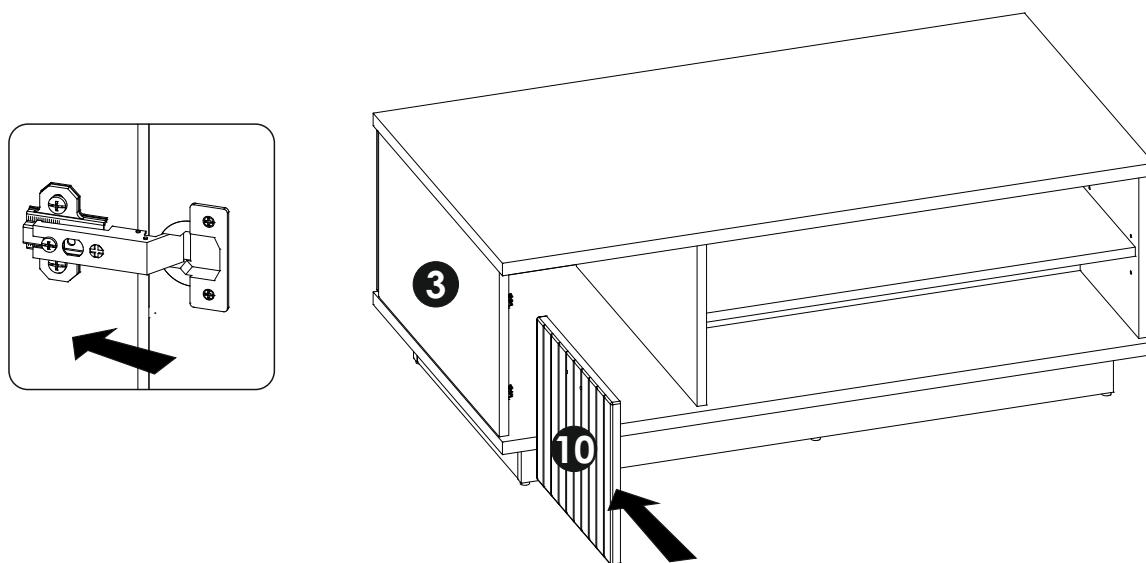
20▶



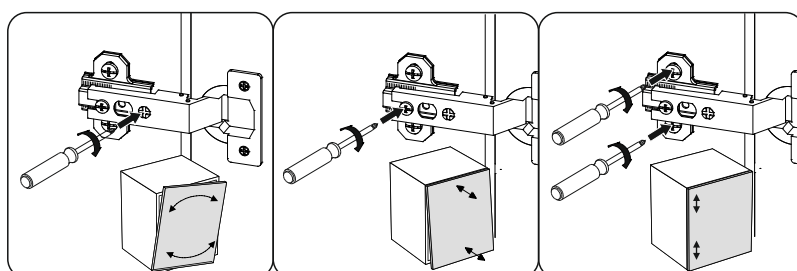
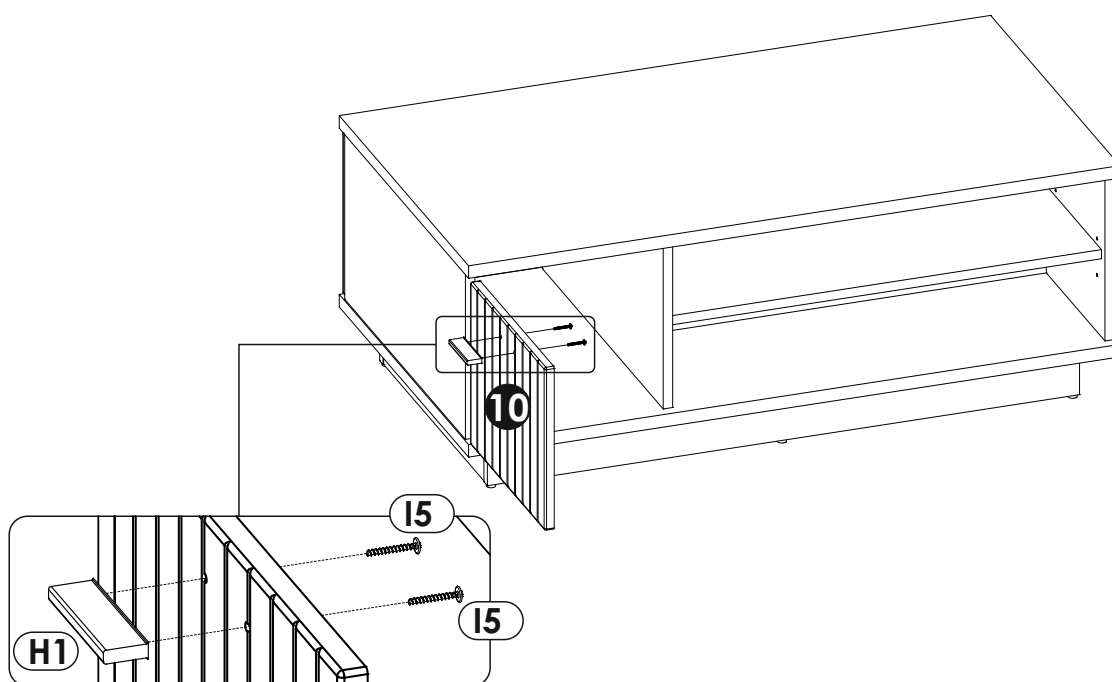




23▶



24▶



25▶

