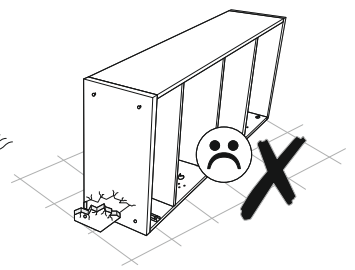
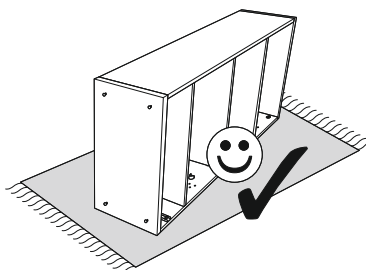
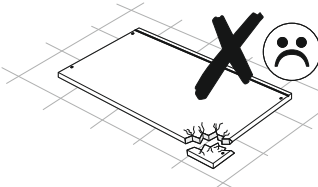
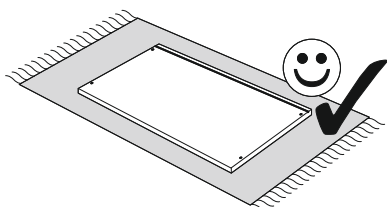
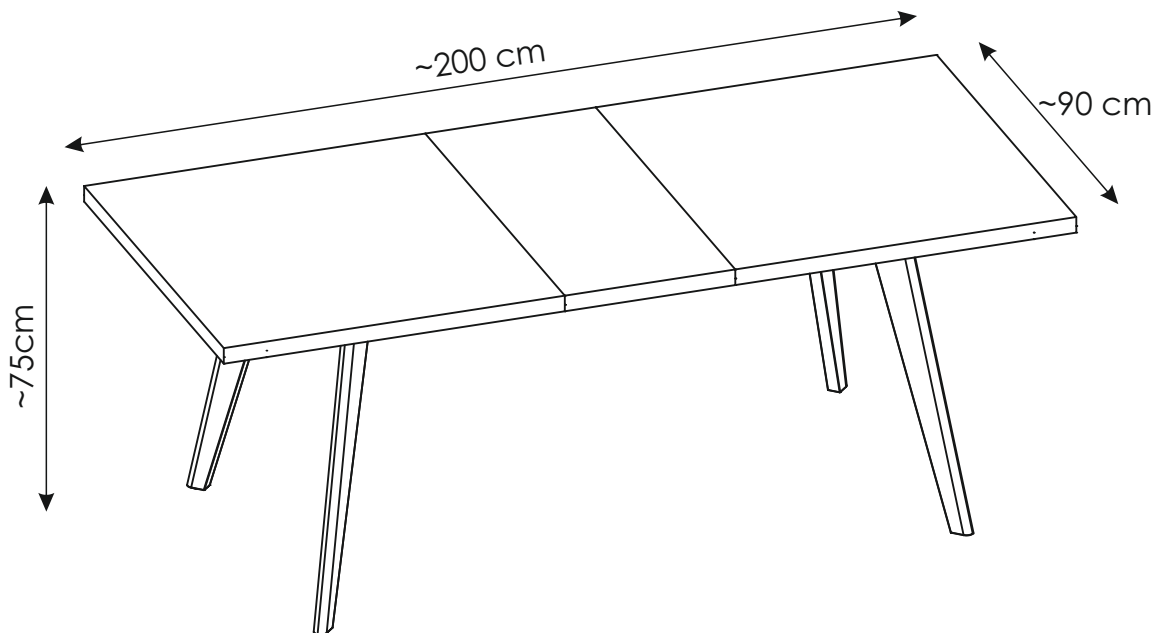
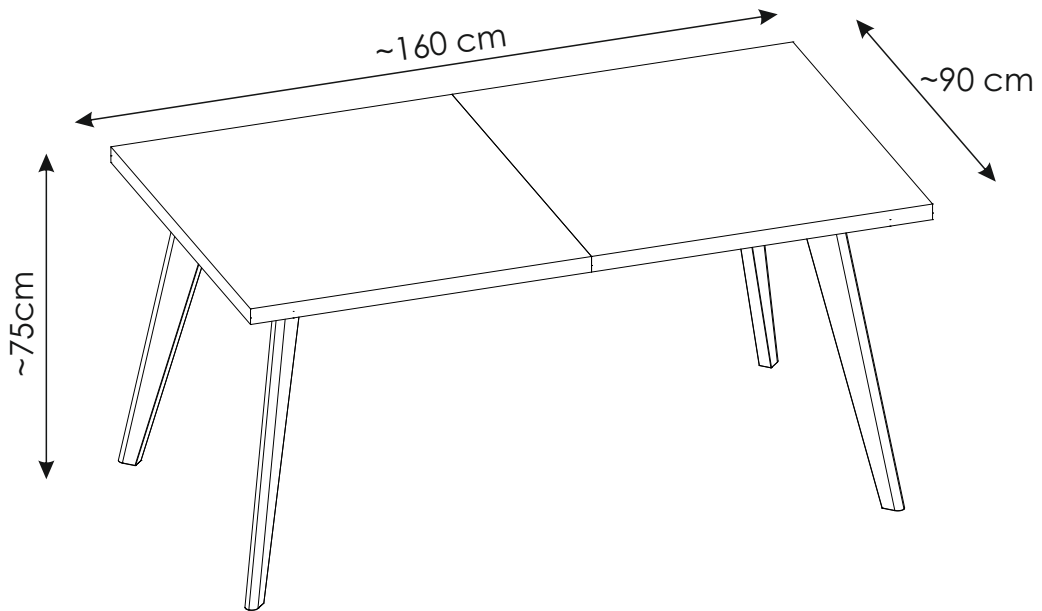
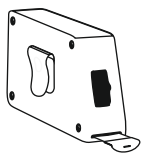
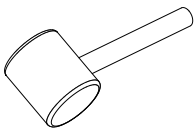
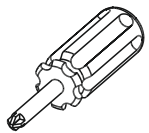
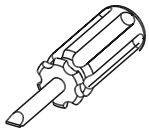
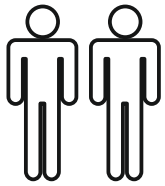
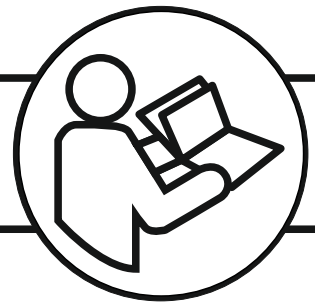
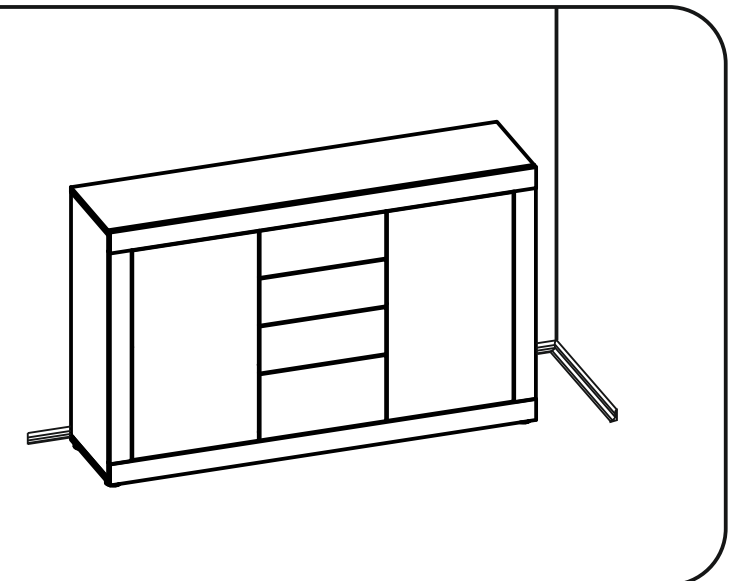
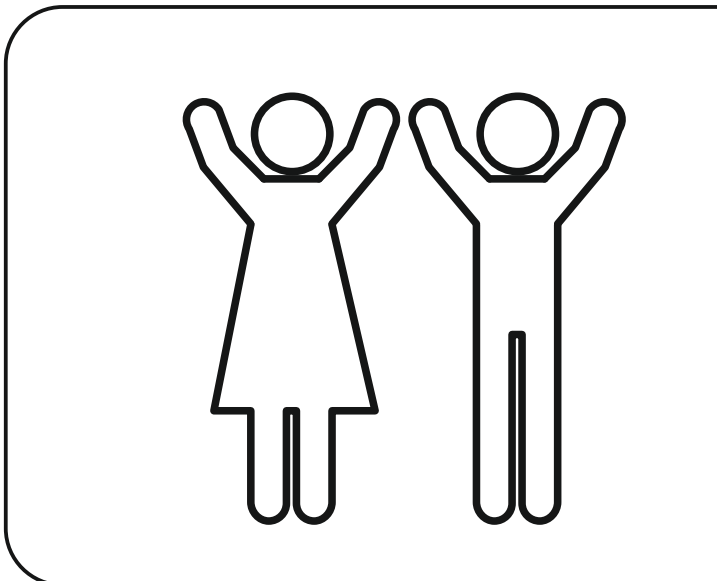
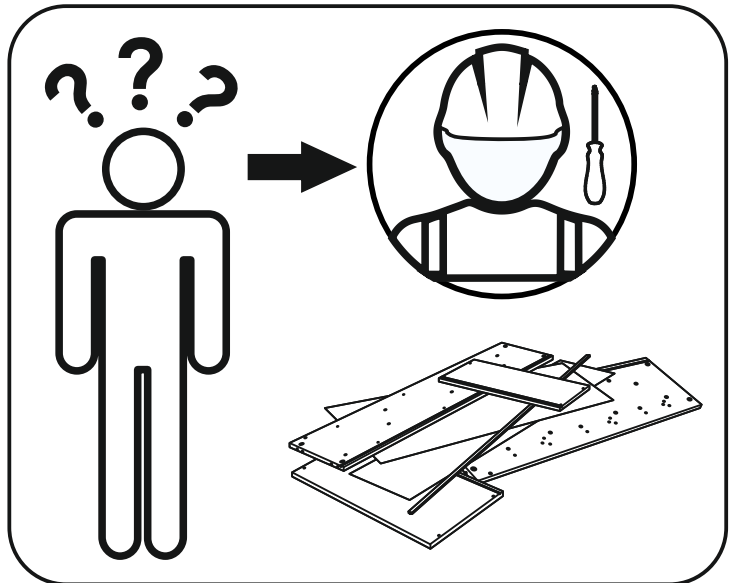
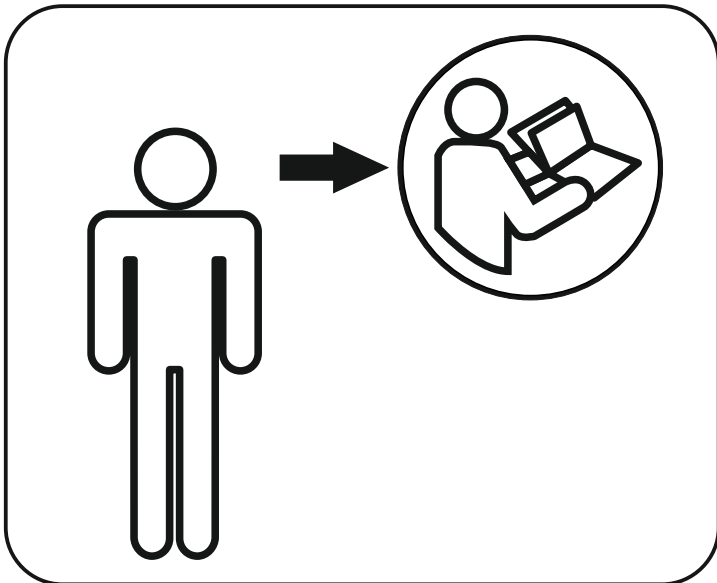
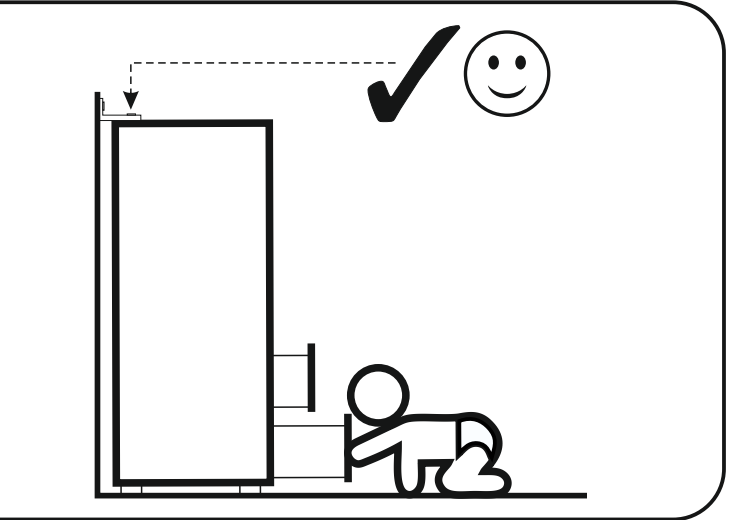
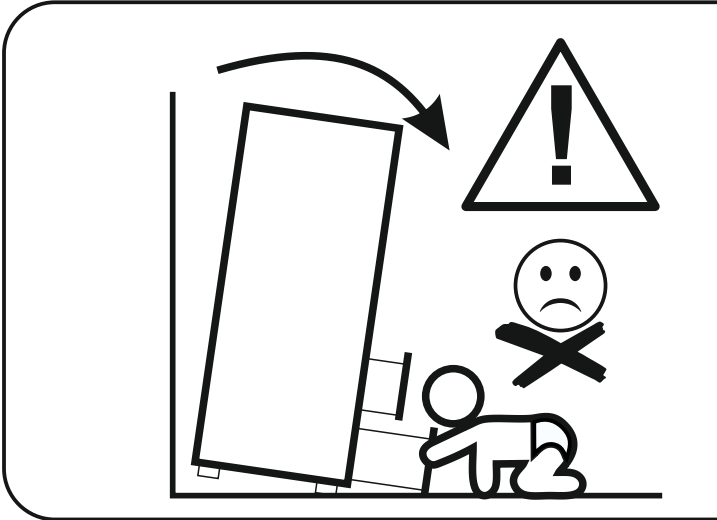
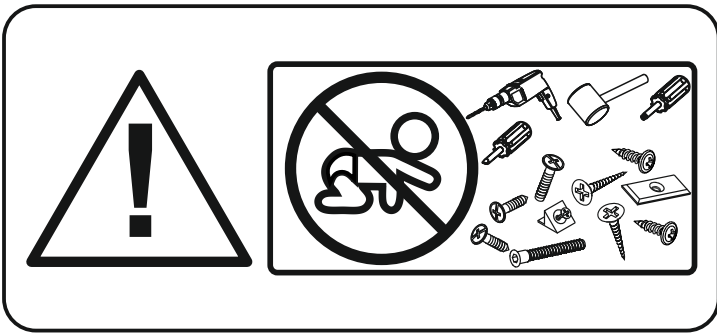
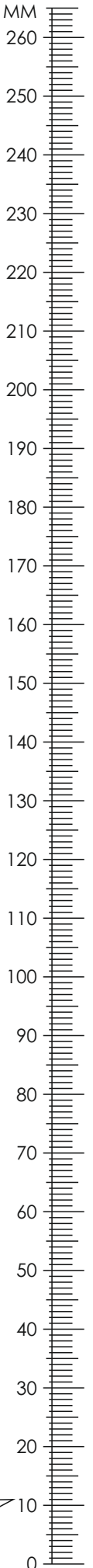


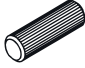
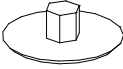

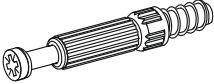
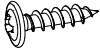
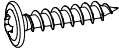


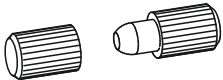


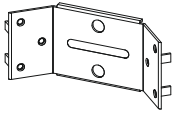
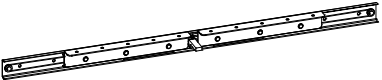
MWST10

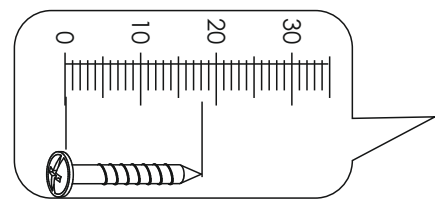




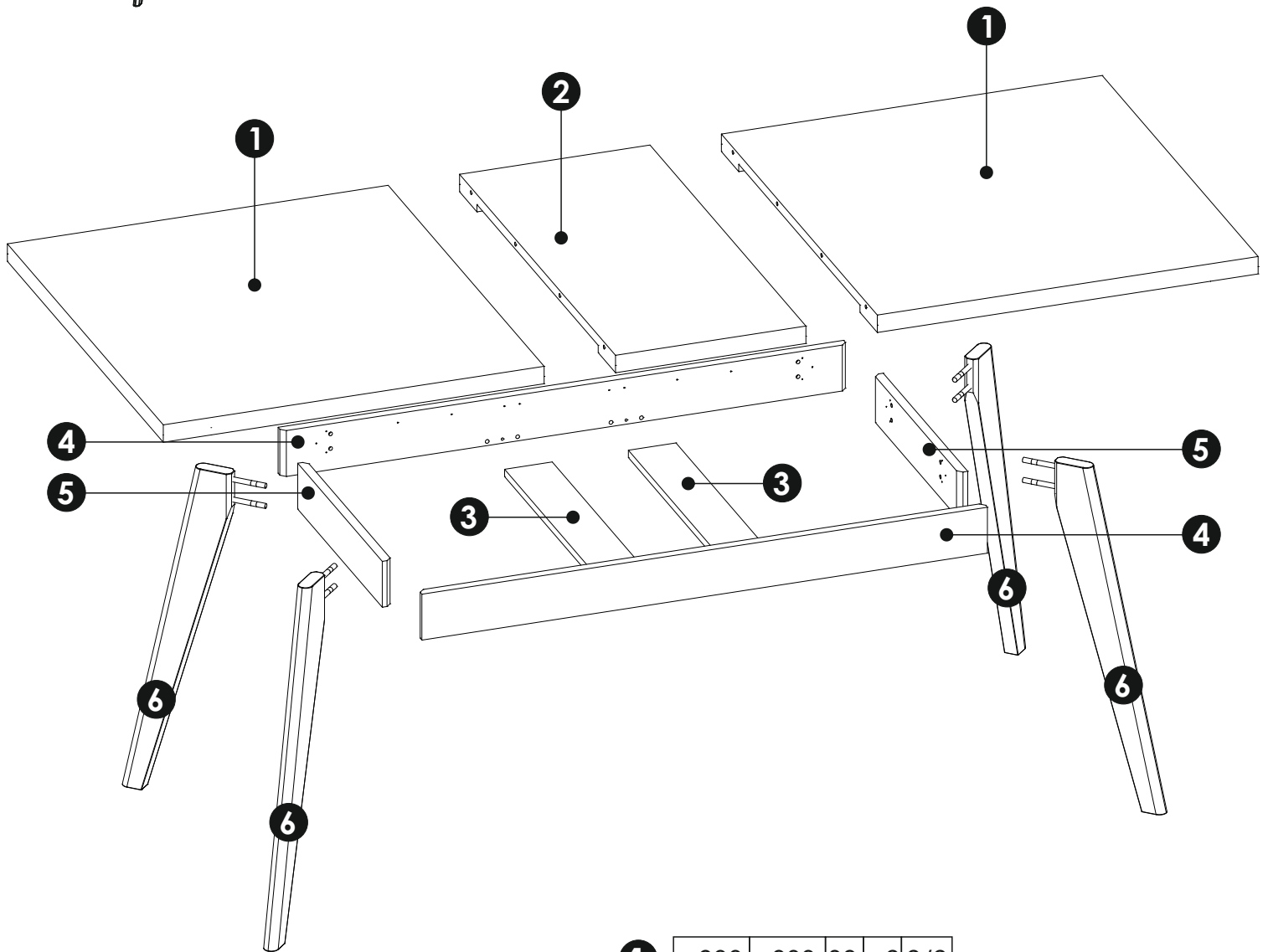
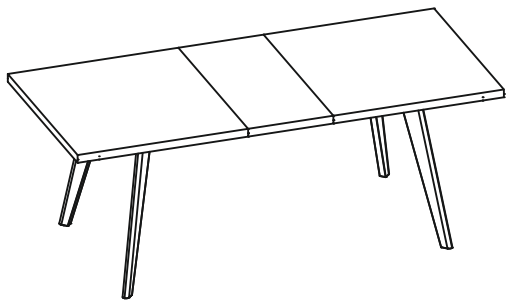
MWST10



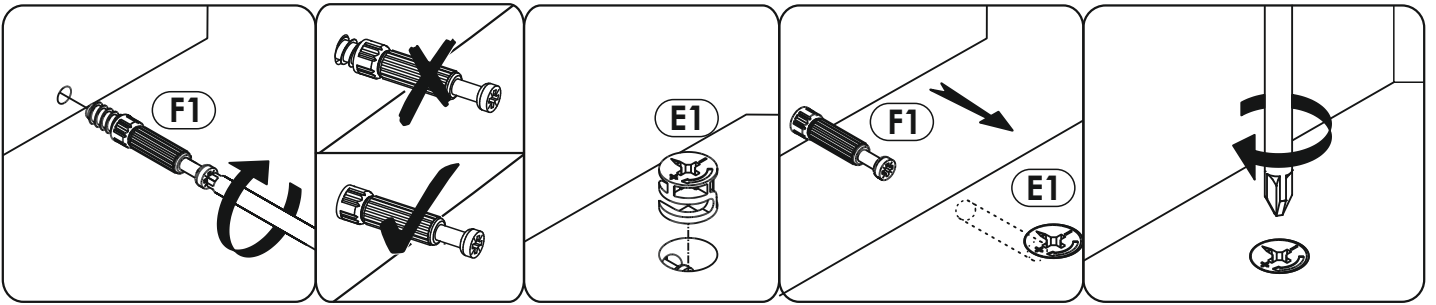
A1 8 x 35 mm x8 	E0 Ø16 x4 	E1 15 x 12 mm x4 
F1 6 x 34 mm x4 	I2 4 x 16 mm x20 	I9 4 x 20 mm x20 
N5 3,5 x 16 mm x24 	O2A ø20 x16 	R8 x8 
S15 x8 	S16 x8 	S17 x4 
T11 L - 700 mm x2 		



MWST10

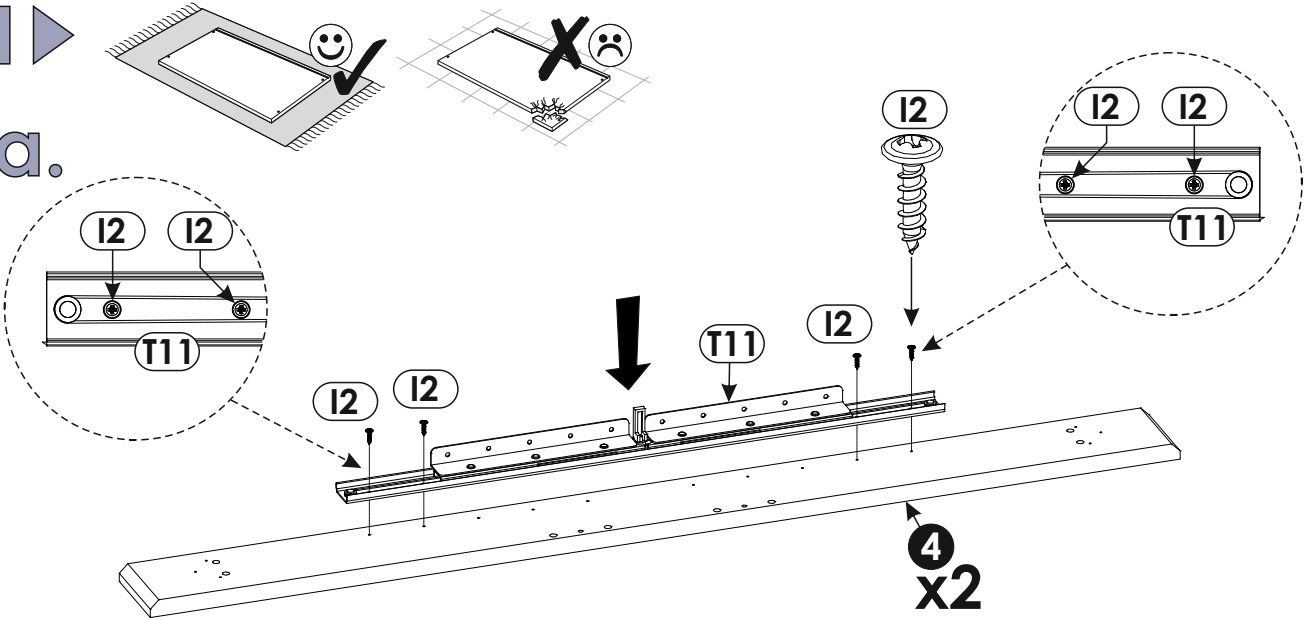


1	900	800	38	x2	2/2
2	900	400	38	x1	1/2
3	510	100	16	x2	1/2
4	1208	100	20	x2	1/2
5	508	100	20	x2	1/2
6	725	80	30	x4	1/2

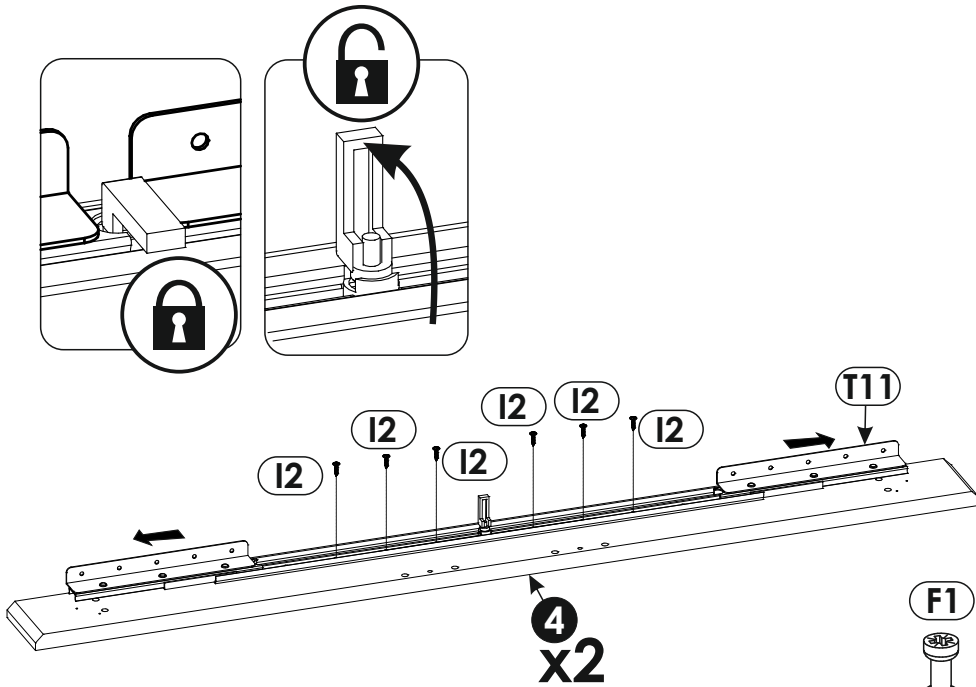


1 ▶

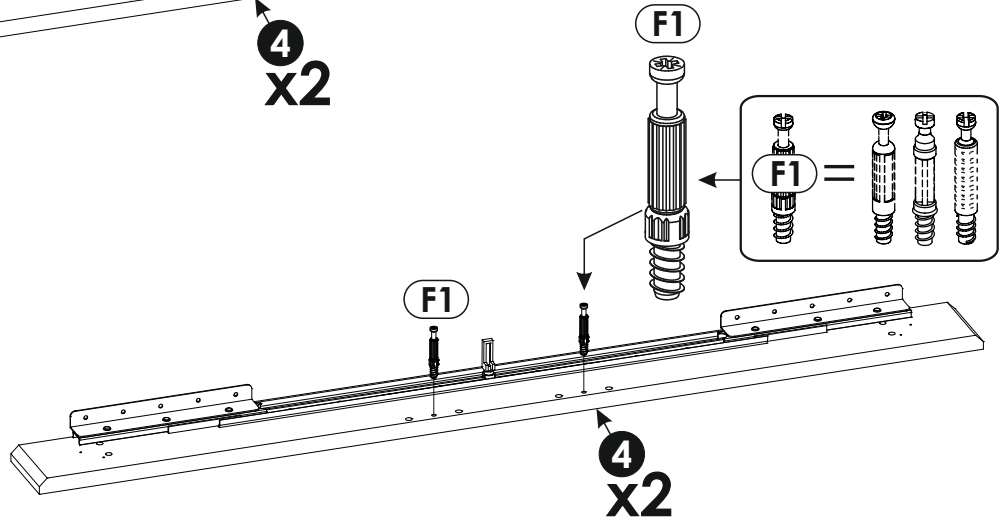
a.

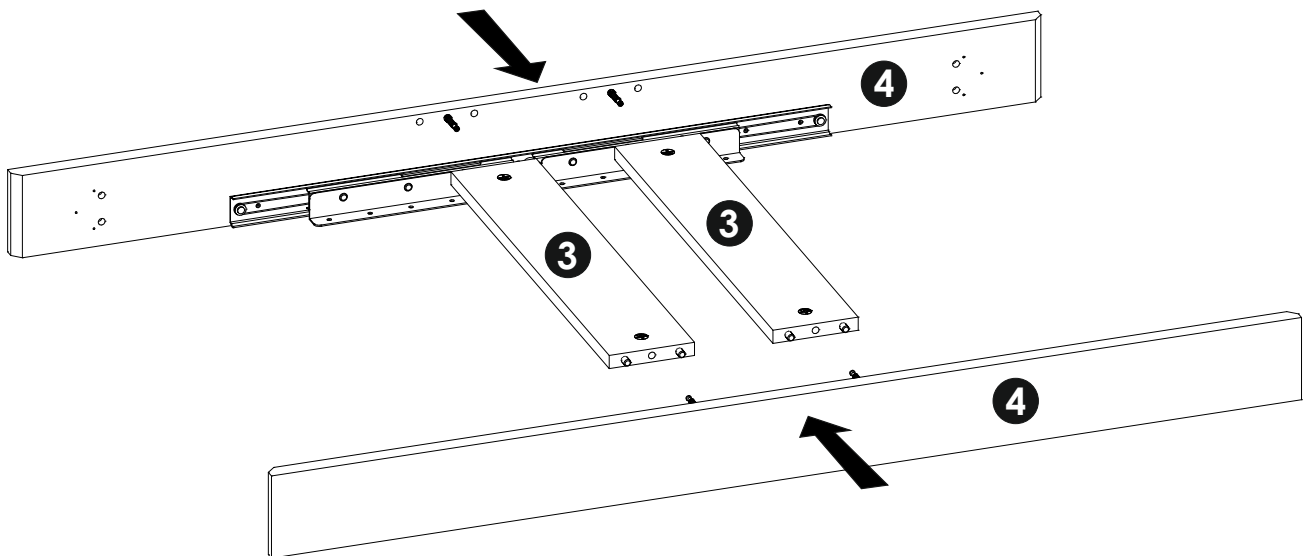
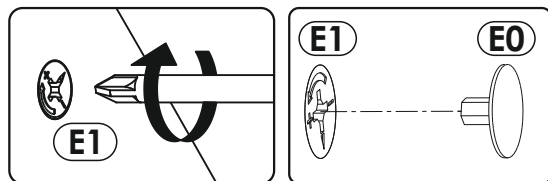
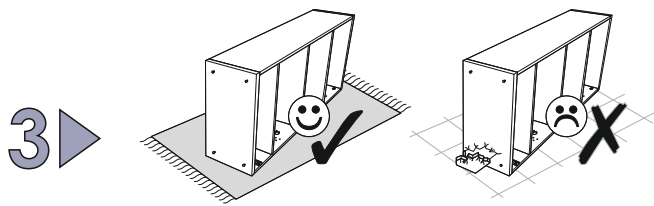
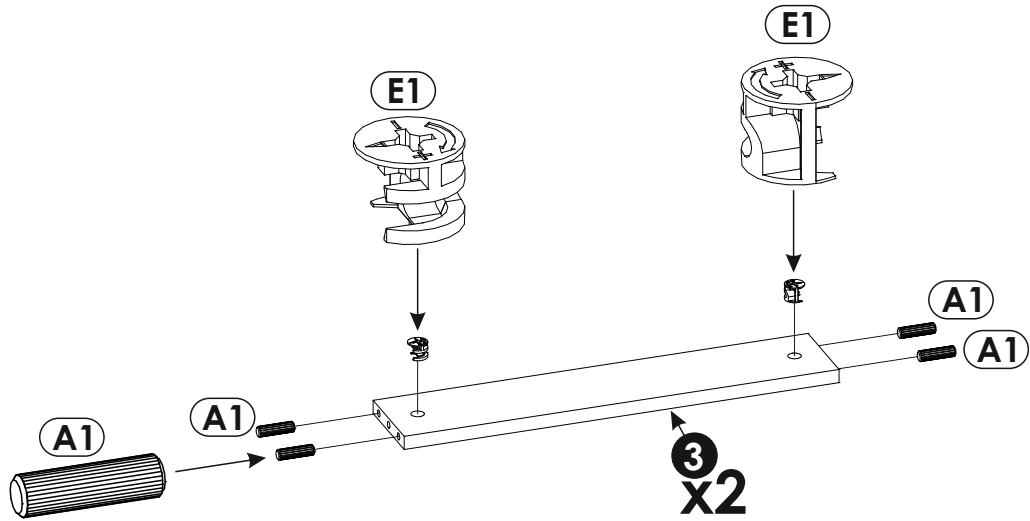
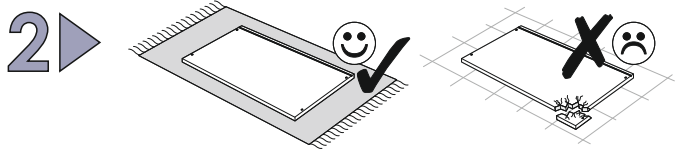


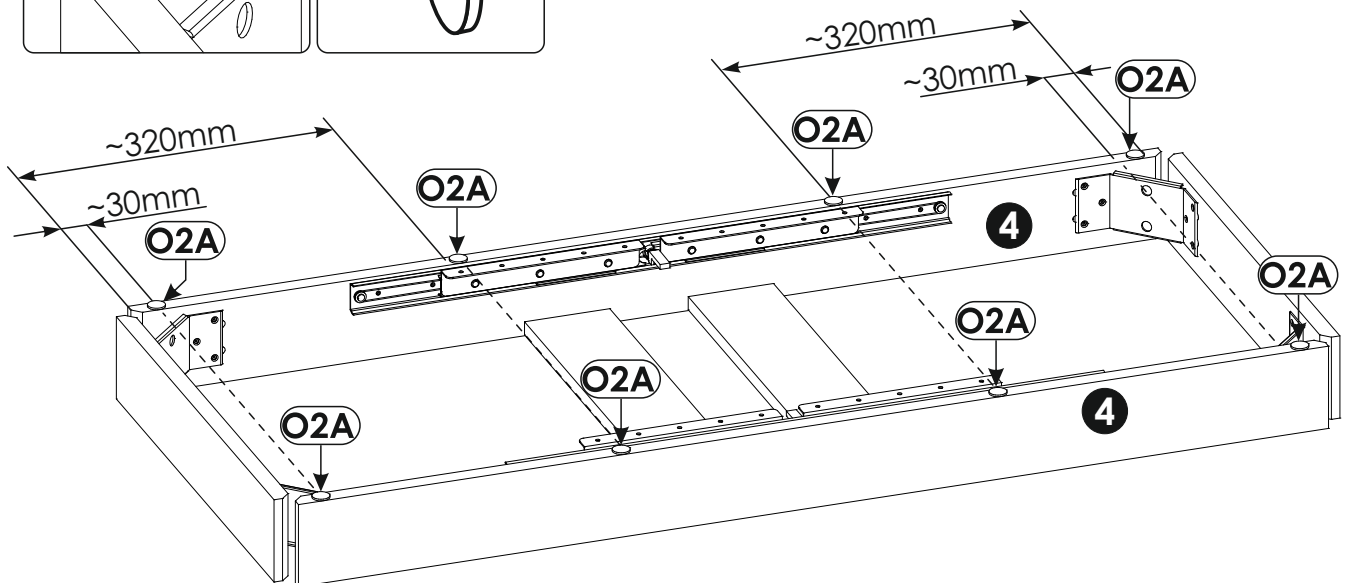
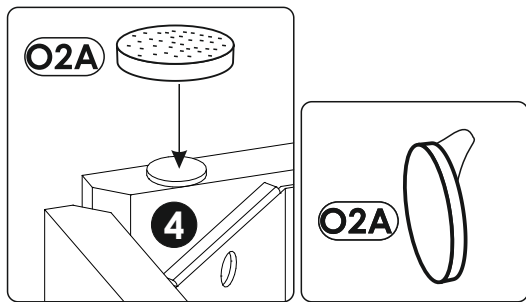
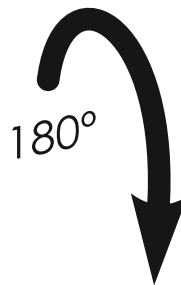
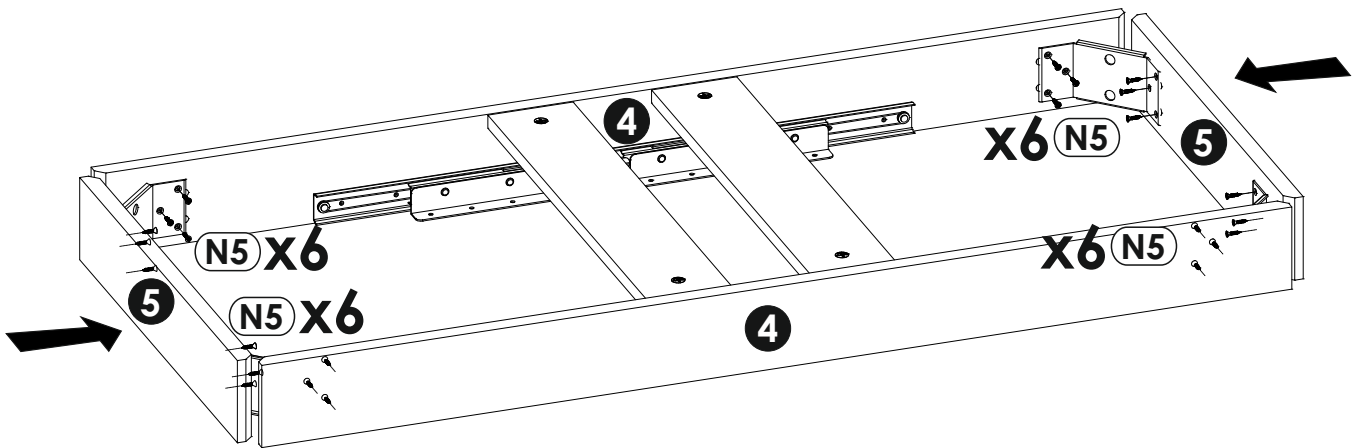
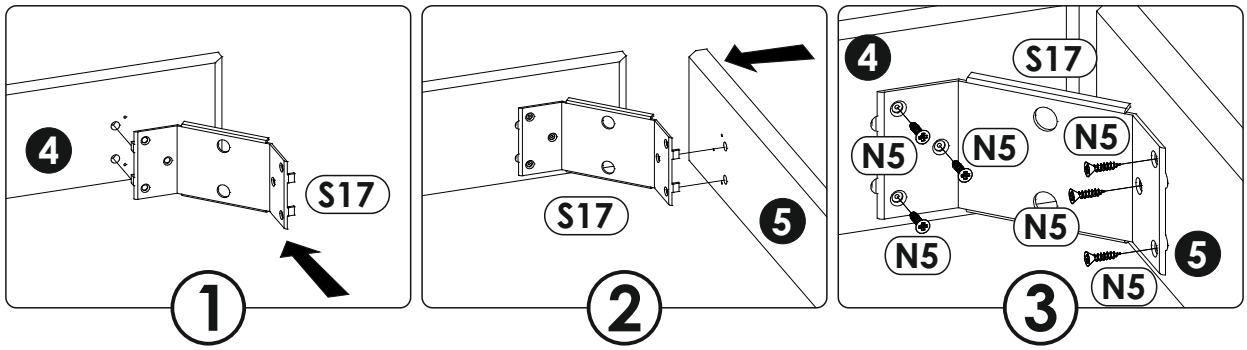
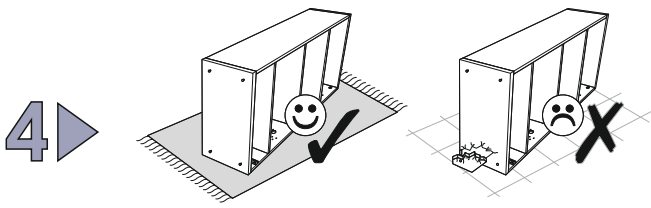
b.

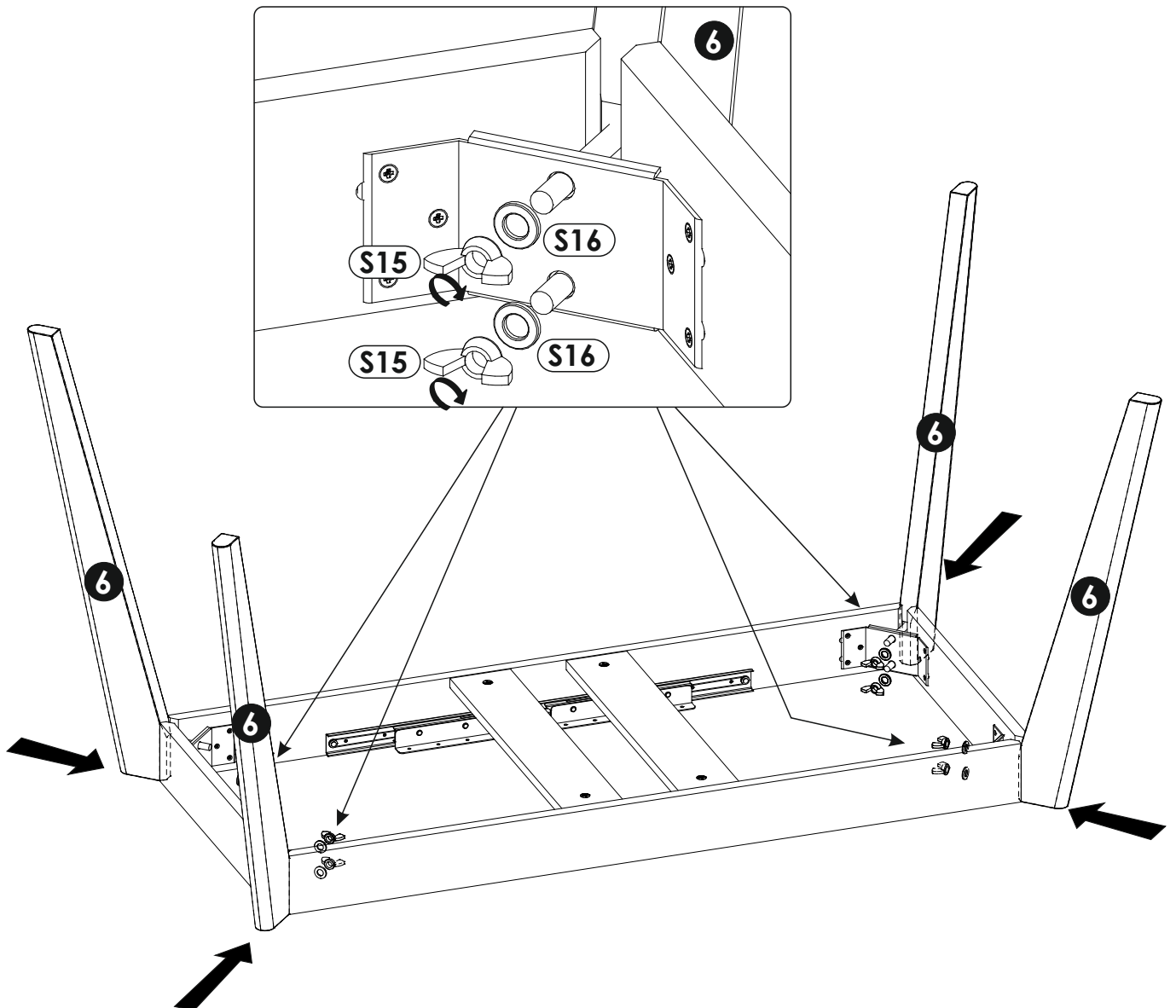
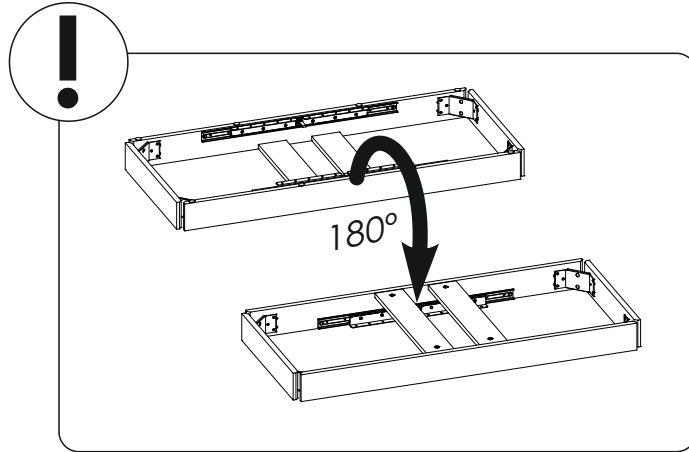
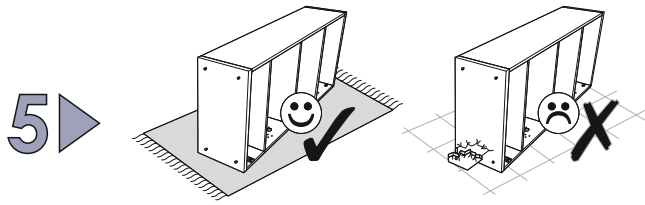


c.

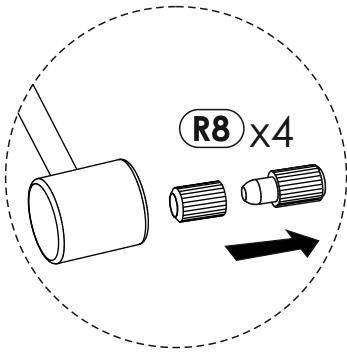
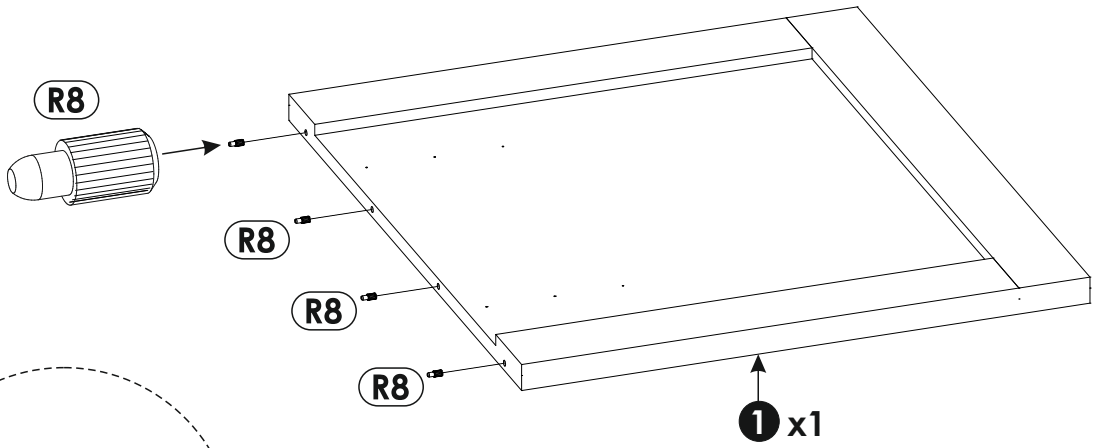
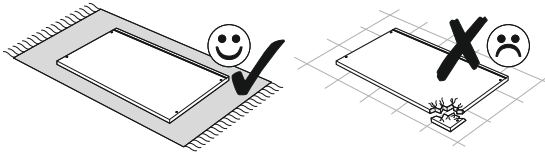




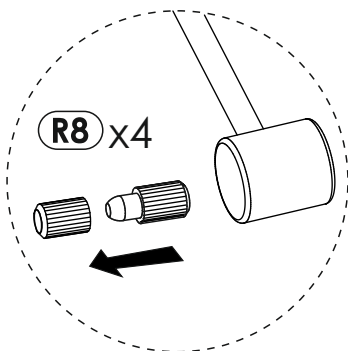
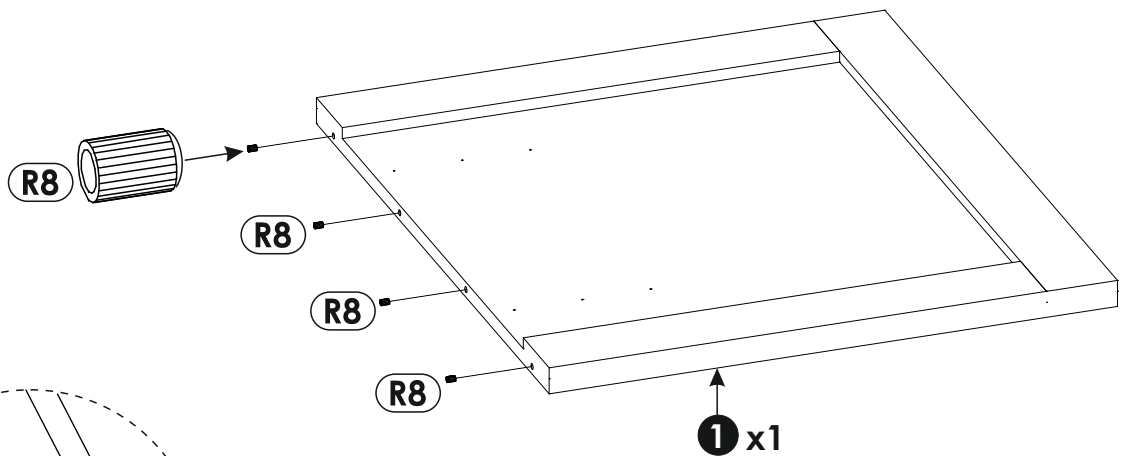
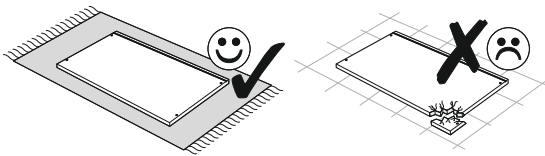




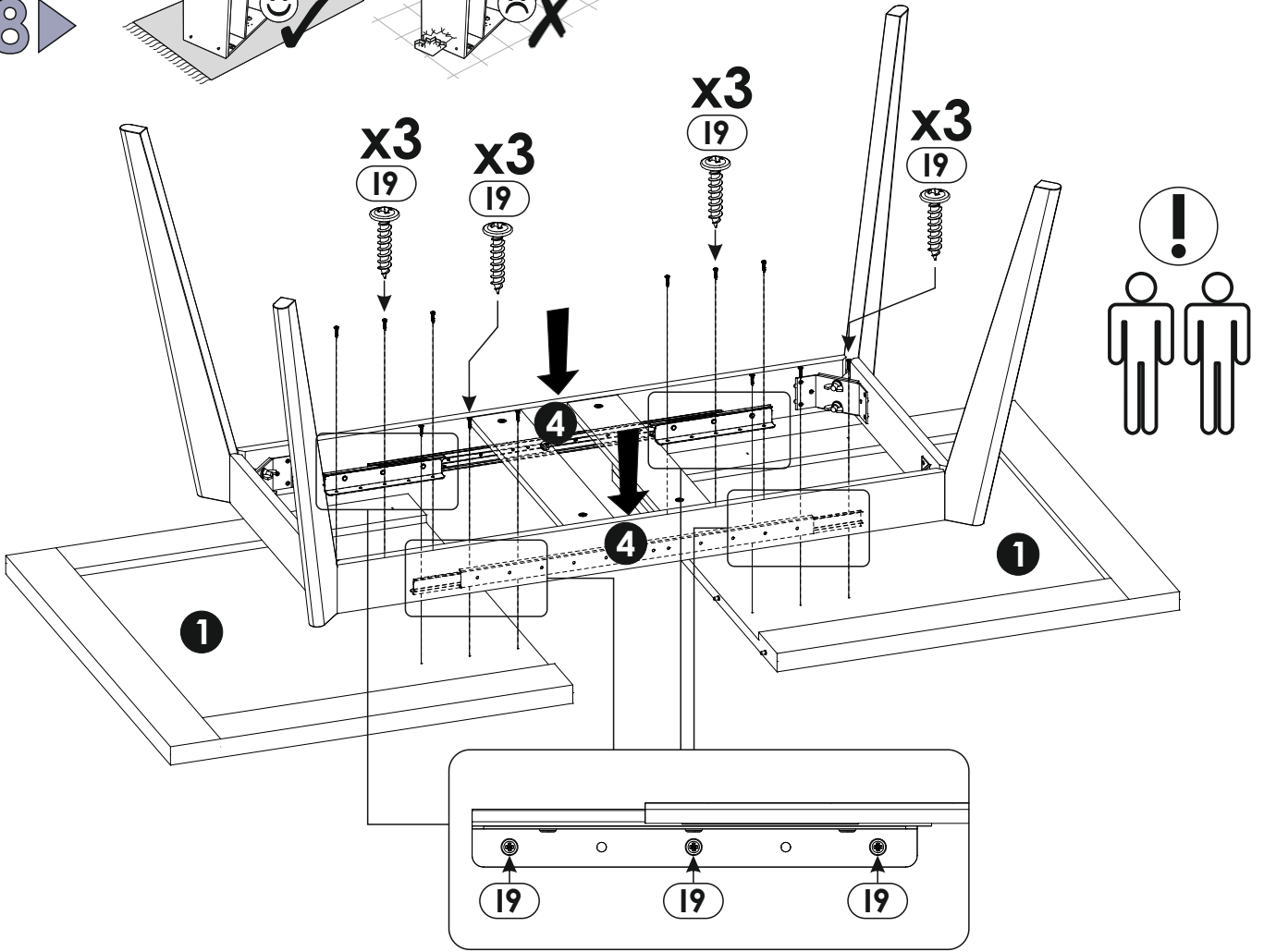
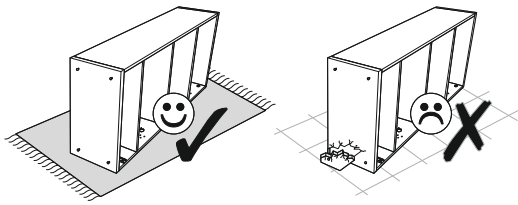
6 ▶



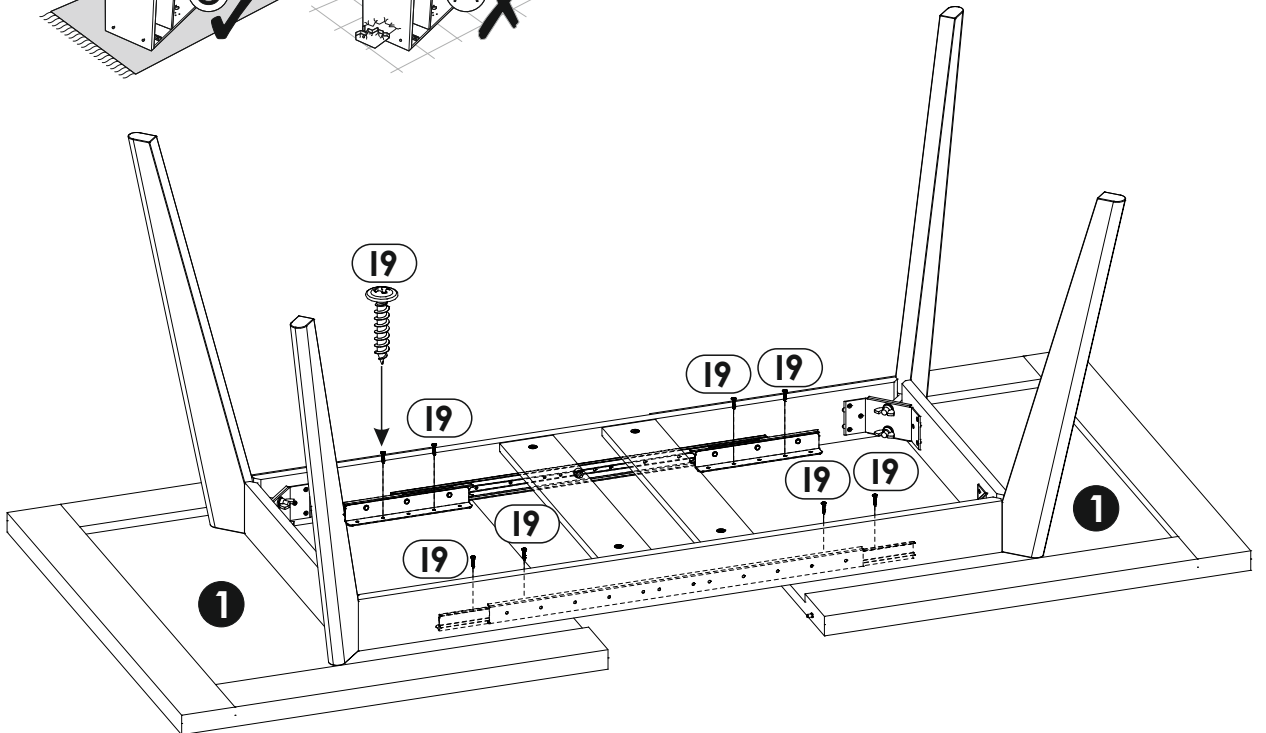
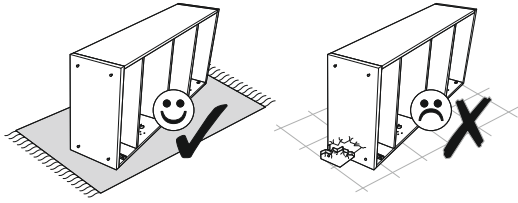
7 ▶



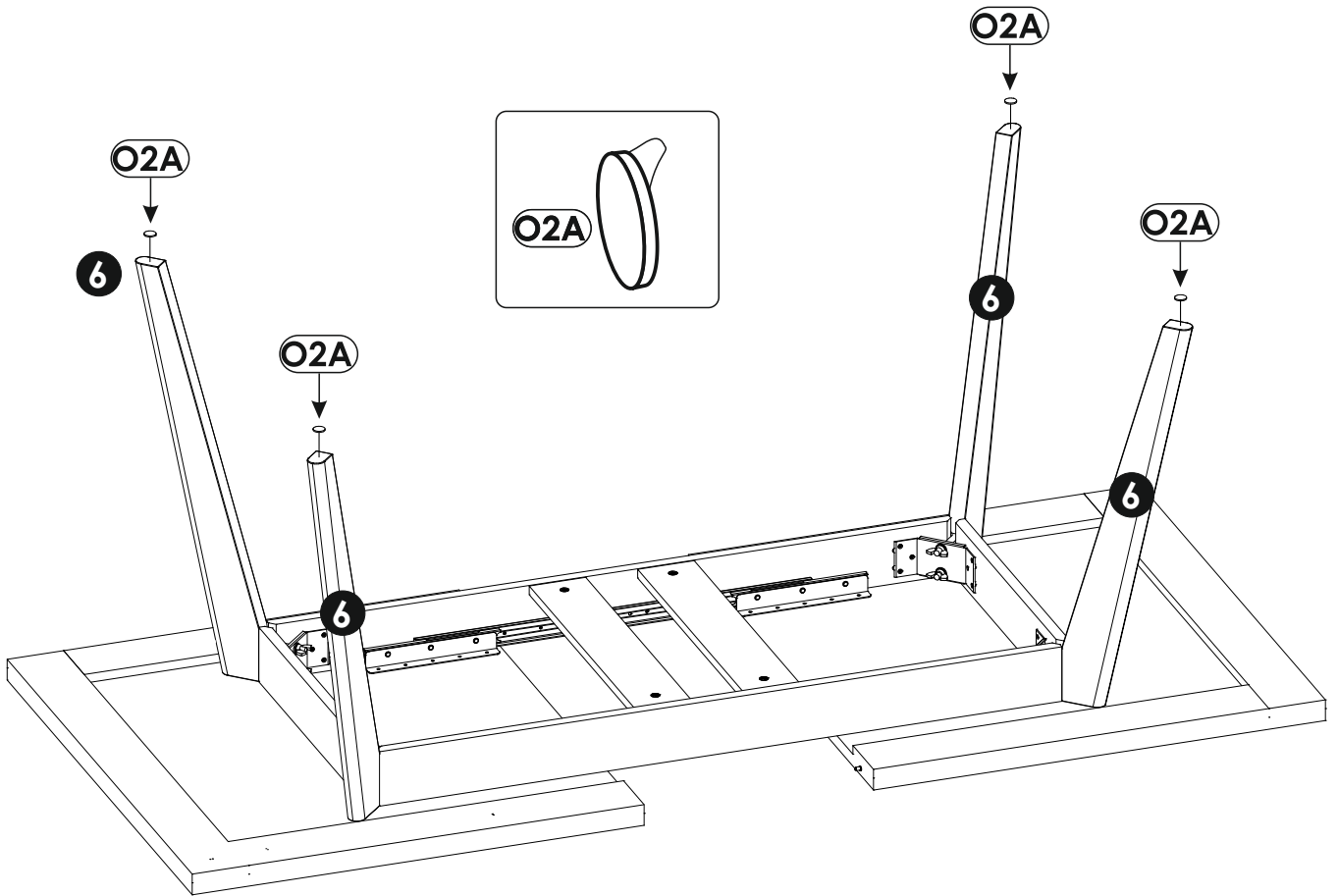
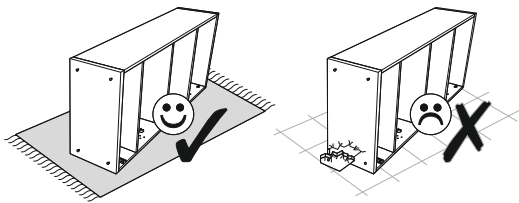
8 ▶



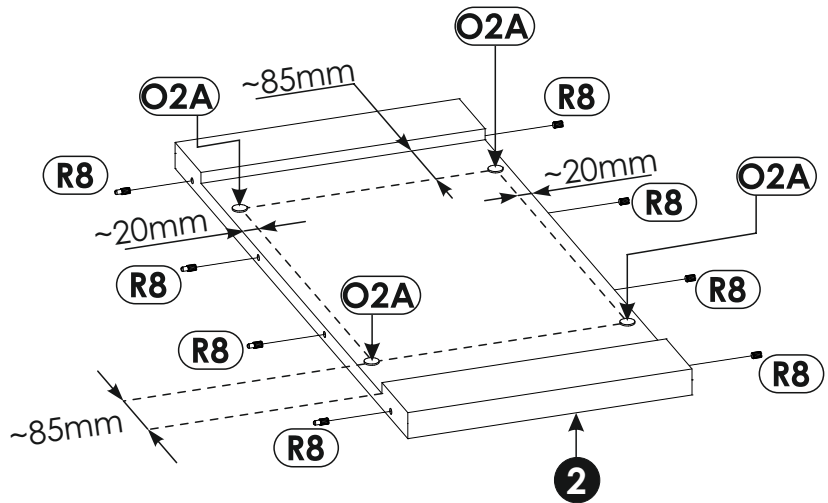
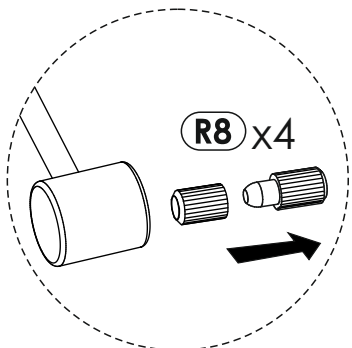
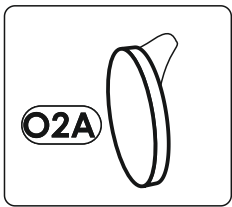
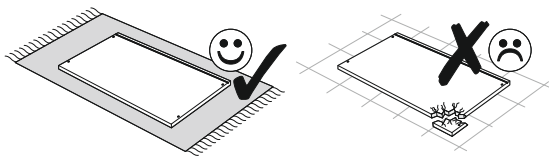
9 ▶



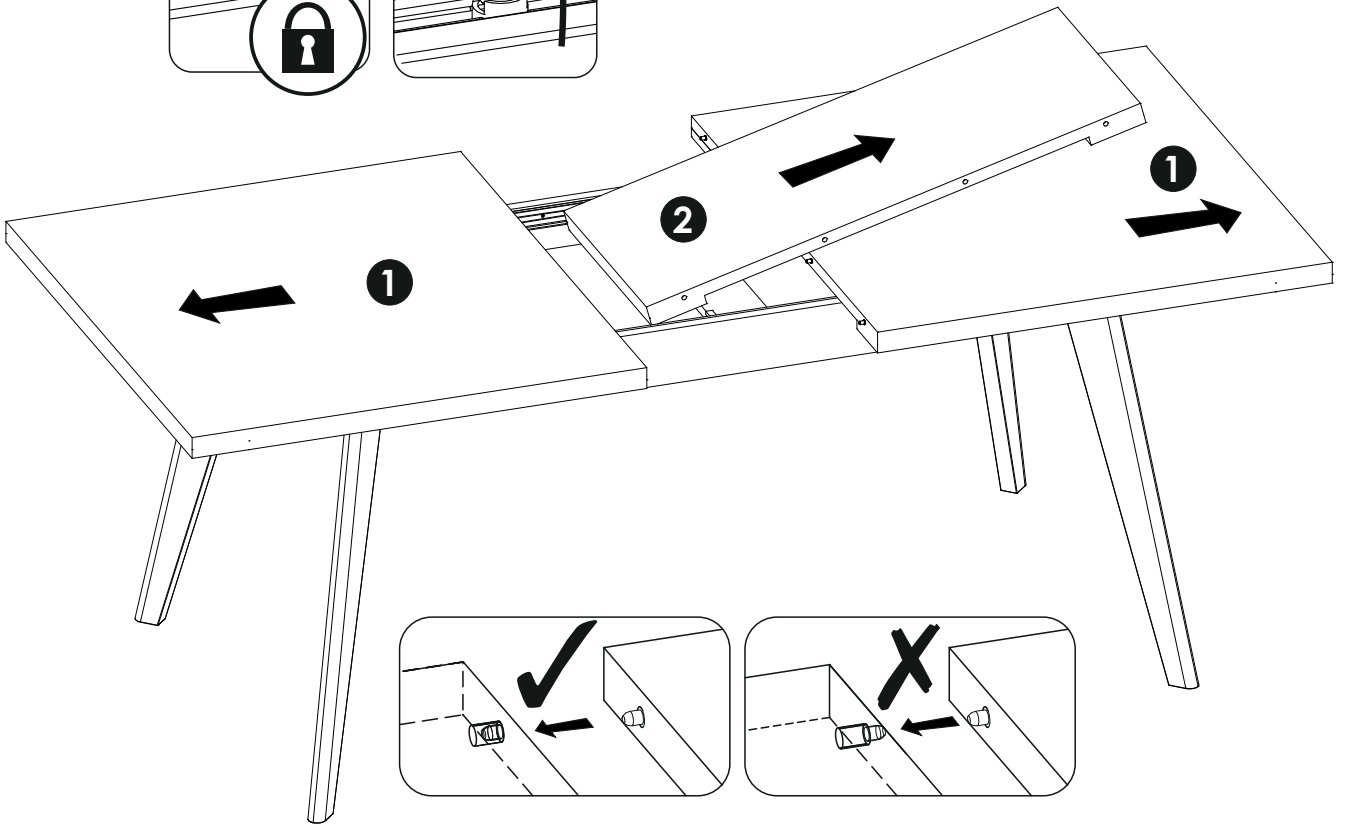
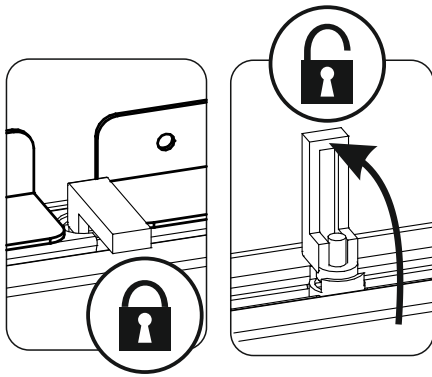
10 ▶



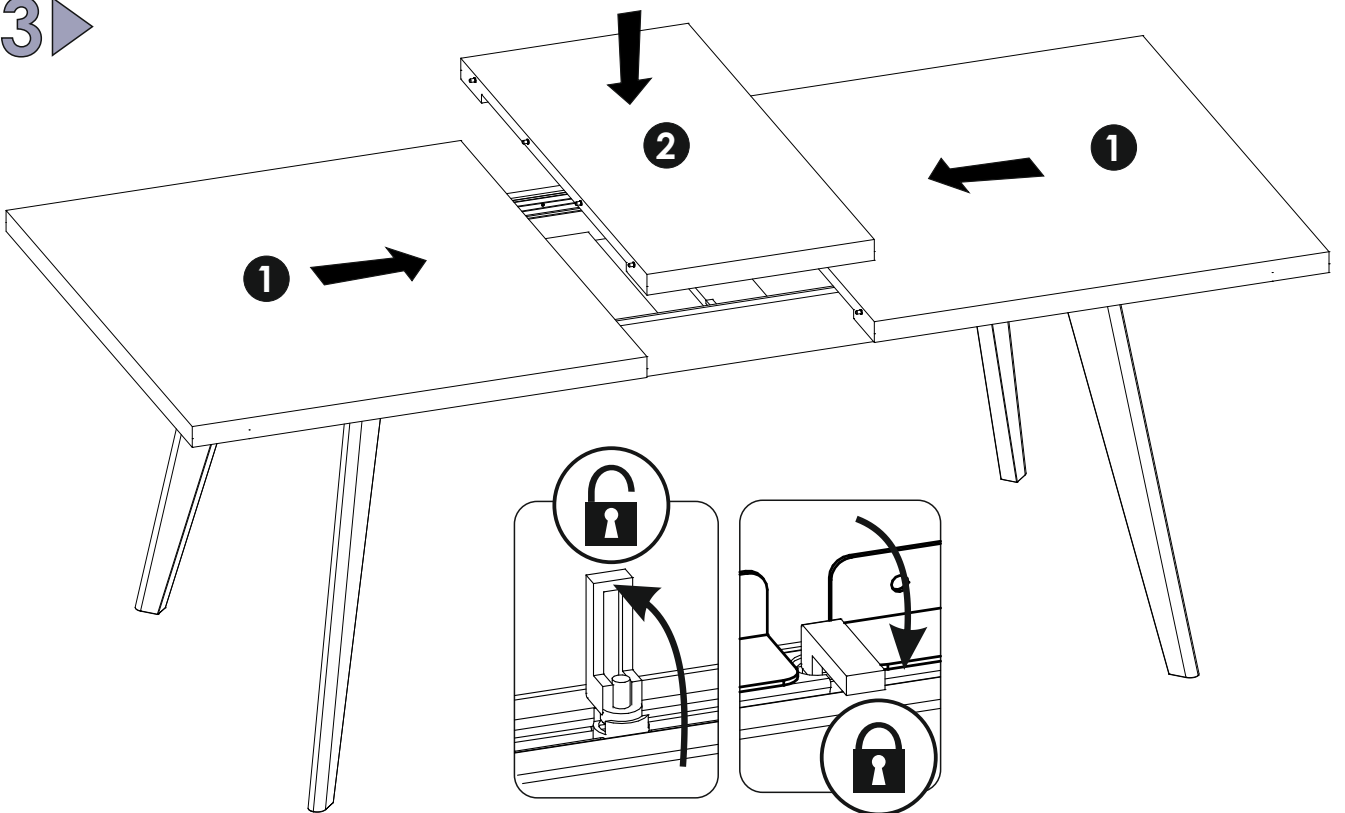
11 ▶



12▶



13▶



14▶

