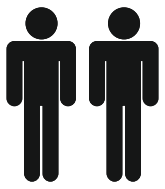
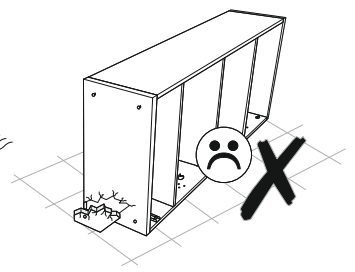
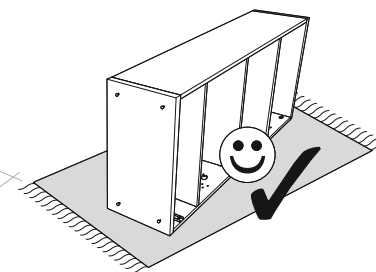
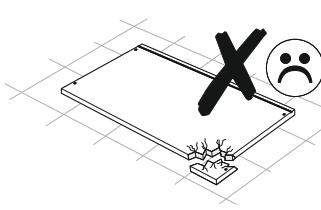
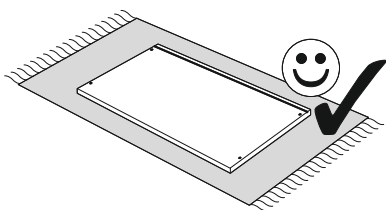
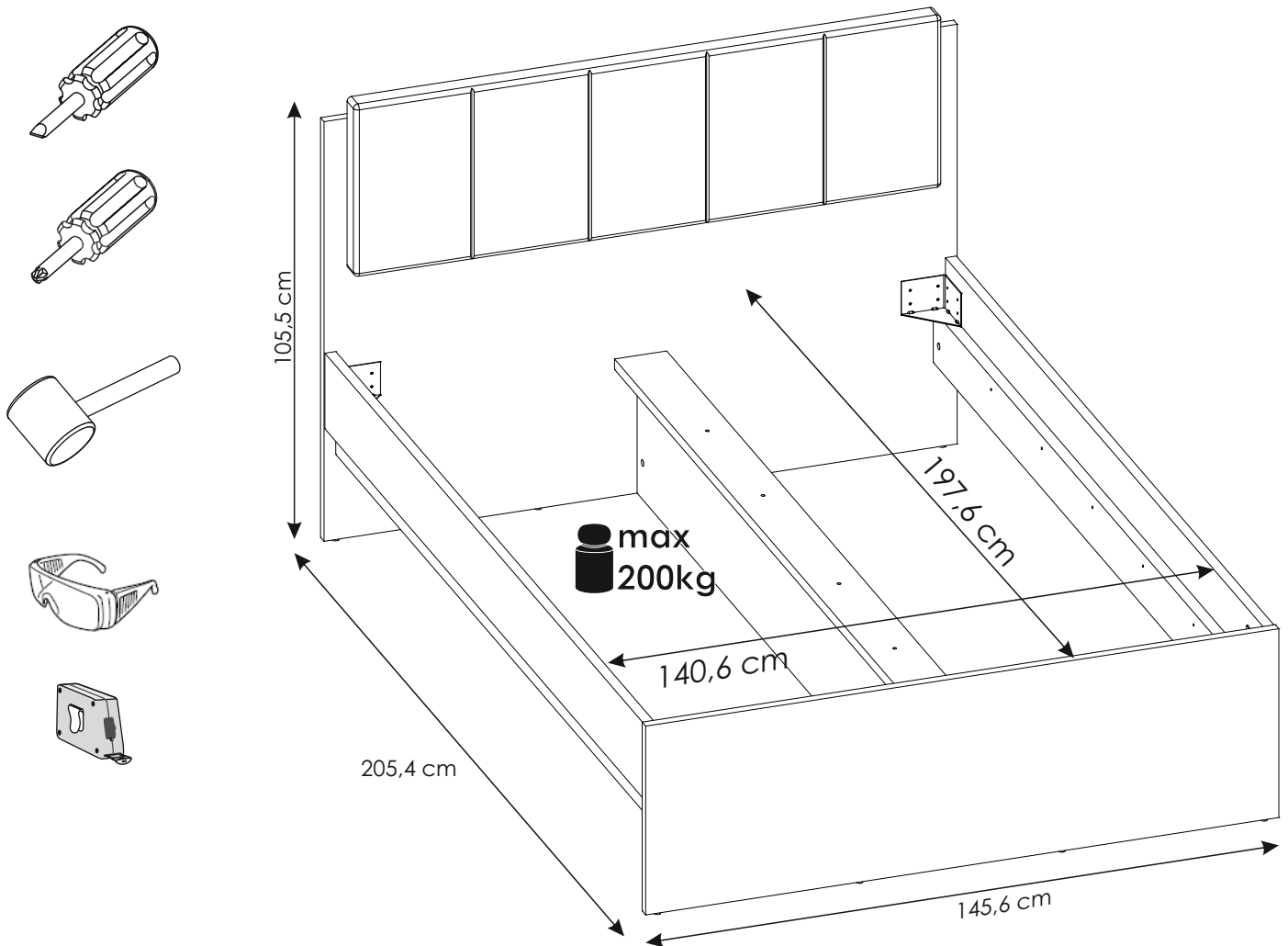
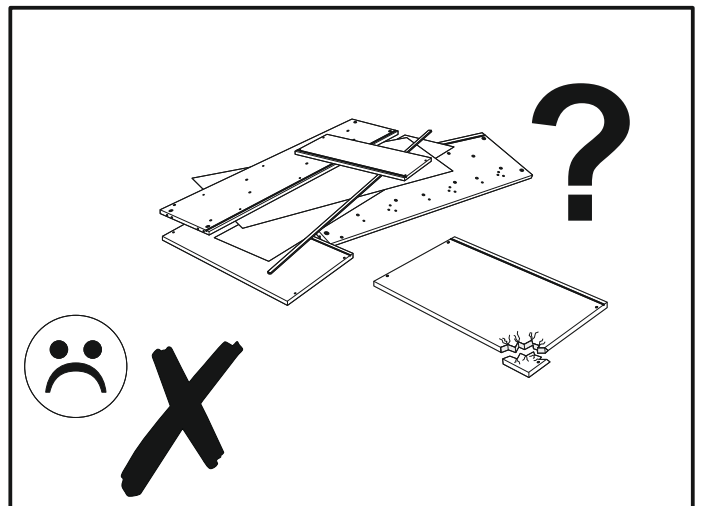
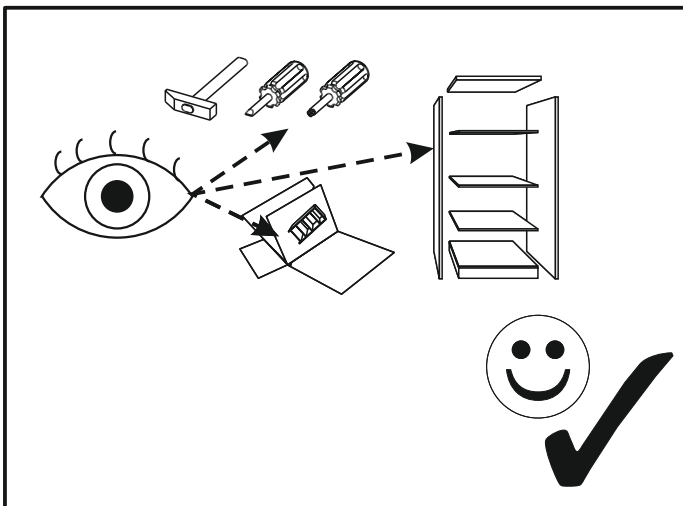
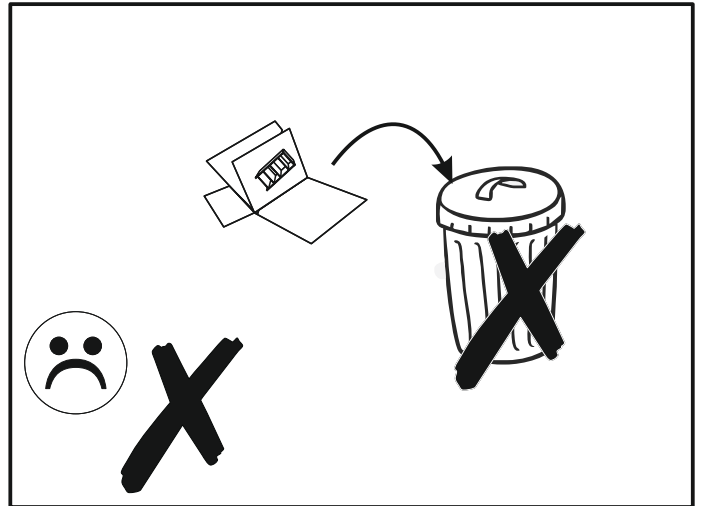
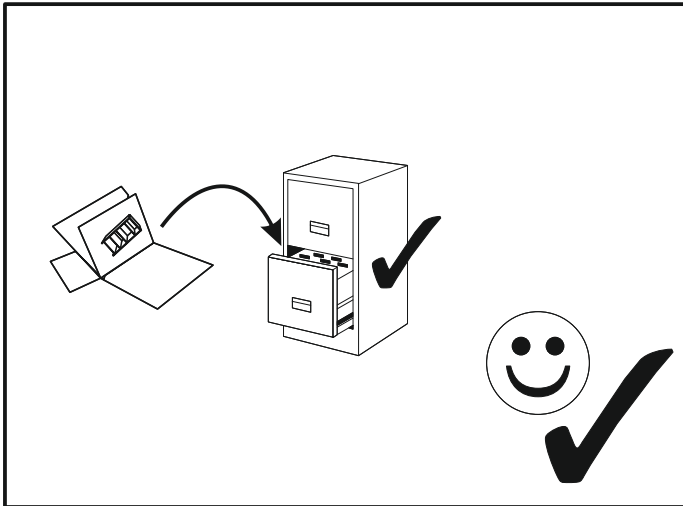
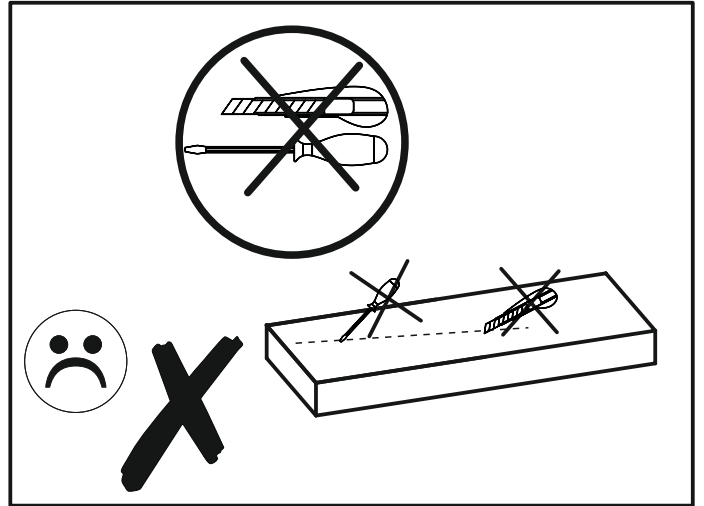
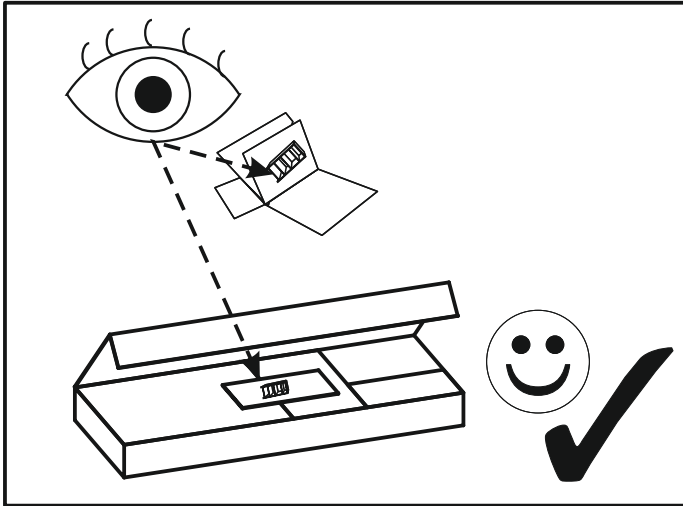


LYOZ01







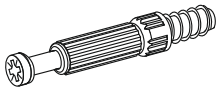

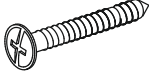
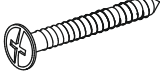
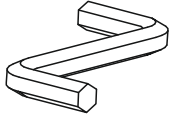
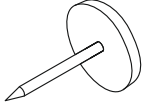
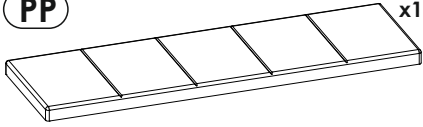
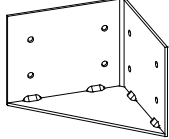
60 MIN

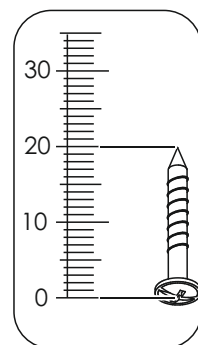
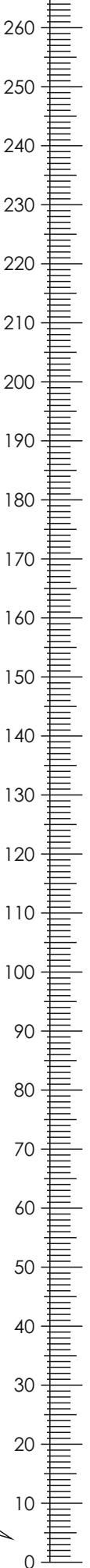




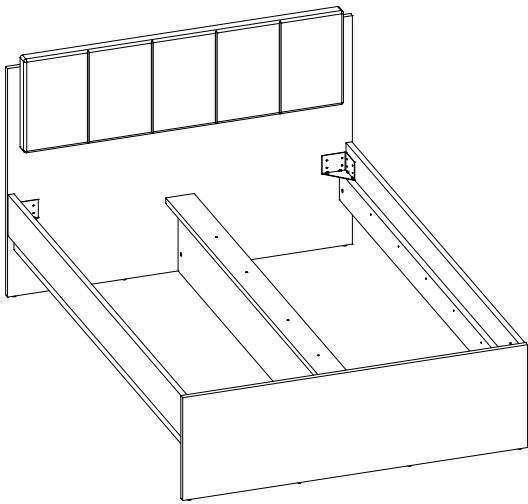
LYOZ01

MM

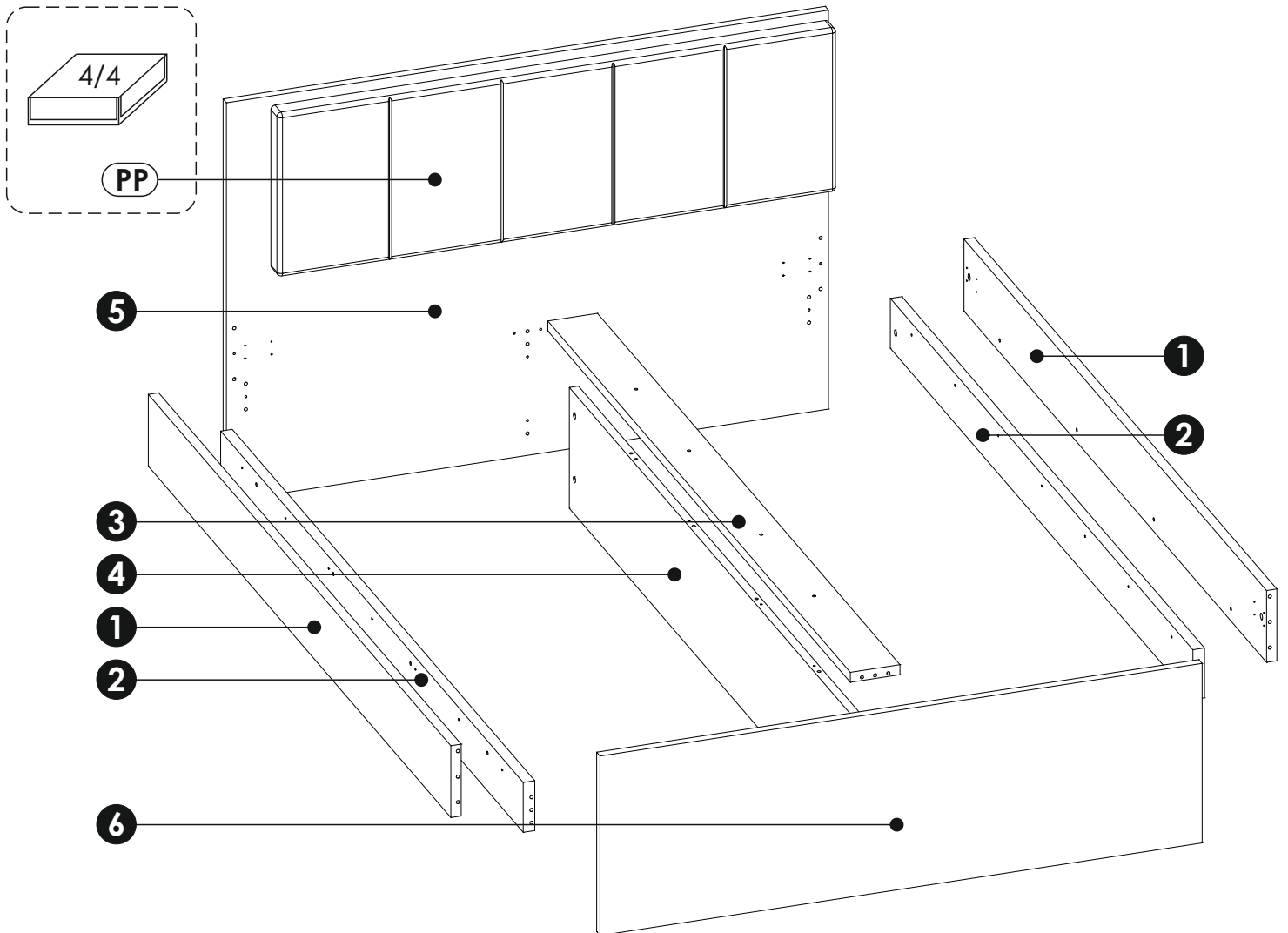
A0 8 x 24 mm x8 	A1 8 x 35 mm x26 	C2 5 x 13 mm x32 
E1 15 x 12 mm x16 	F1 6 x 34 mm x16 	G2 7 x 60 mm x4 
I13 4 x 35 mm x6 	I14 4 x 45 mm x14 	M x1 
O2 x13 	PP x1 	W x4 

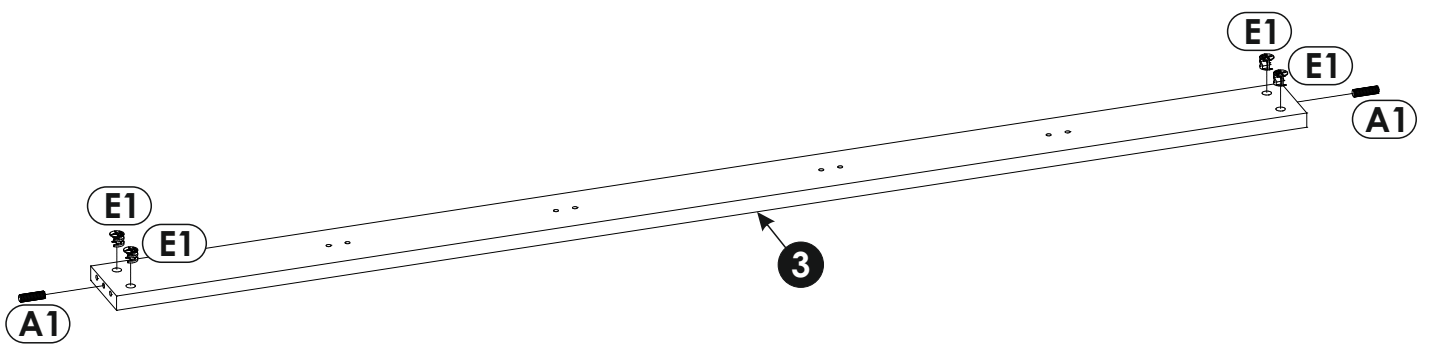
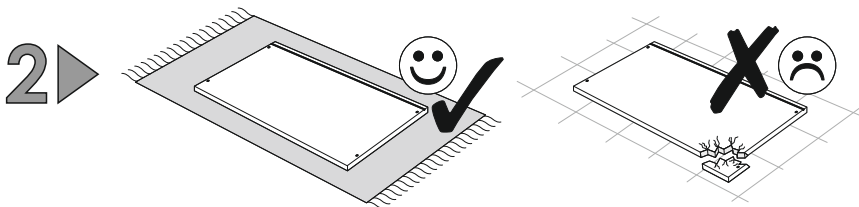
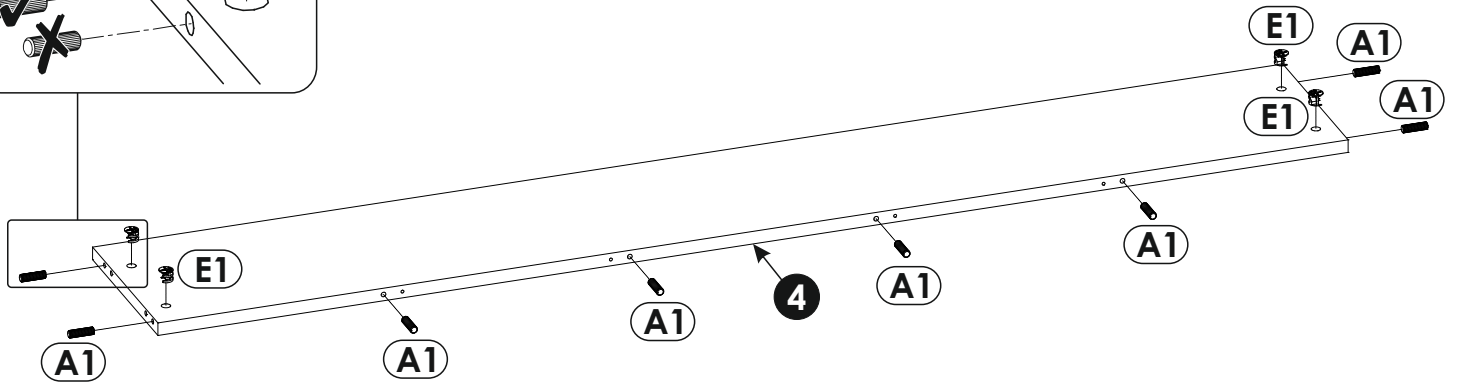
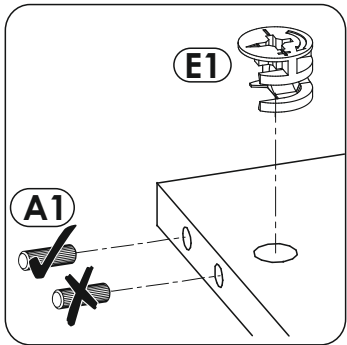
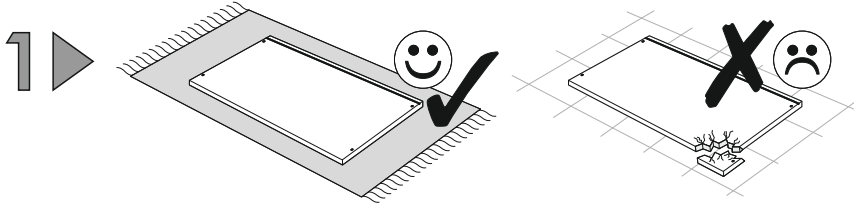
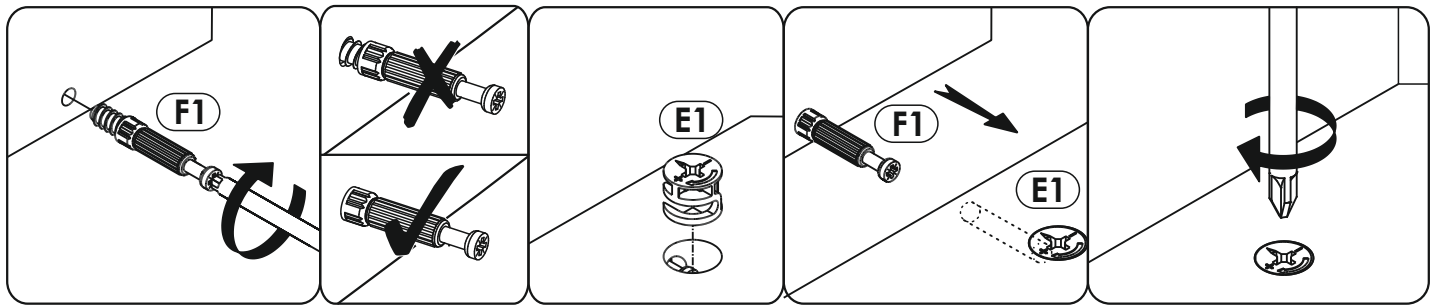


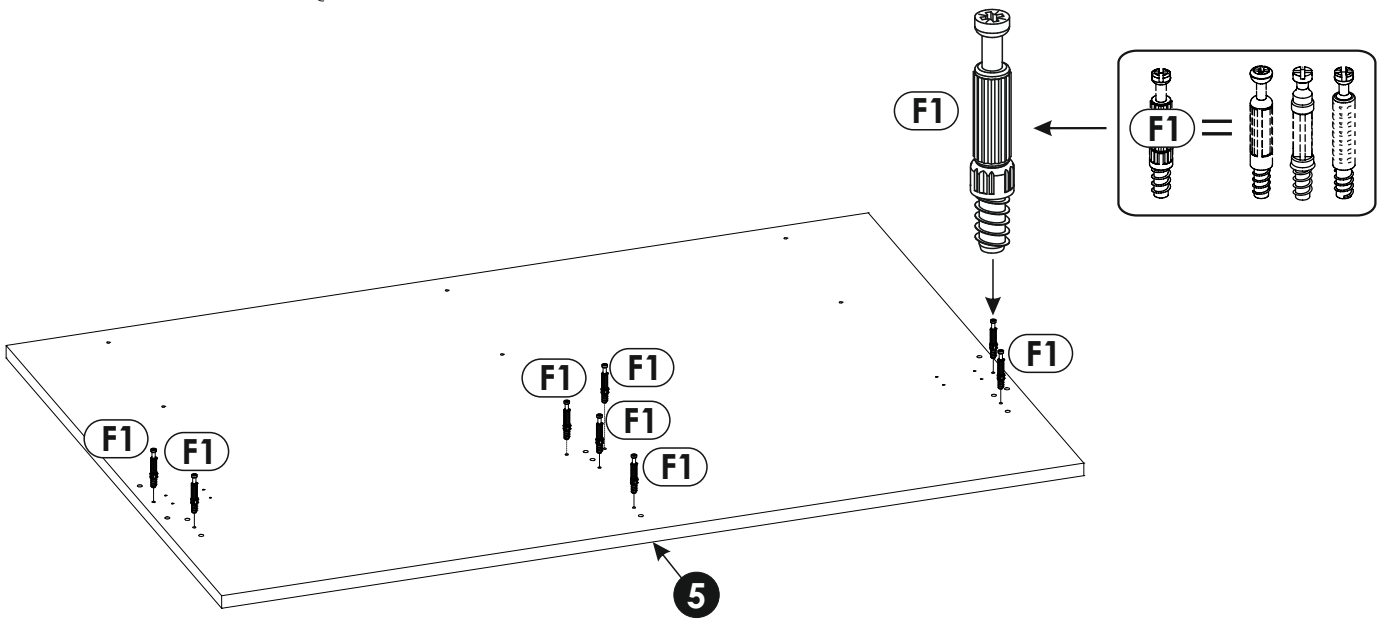
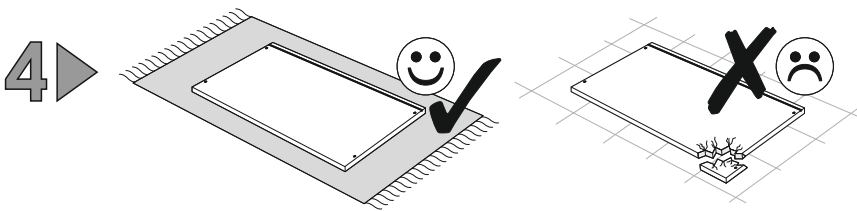
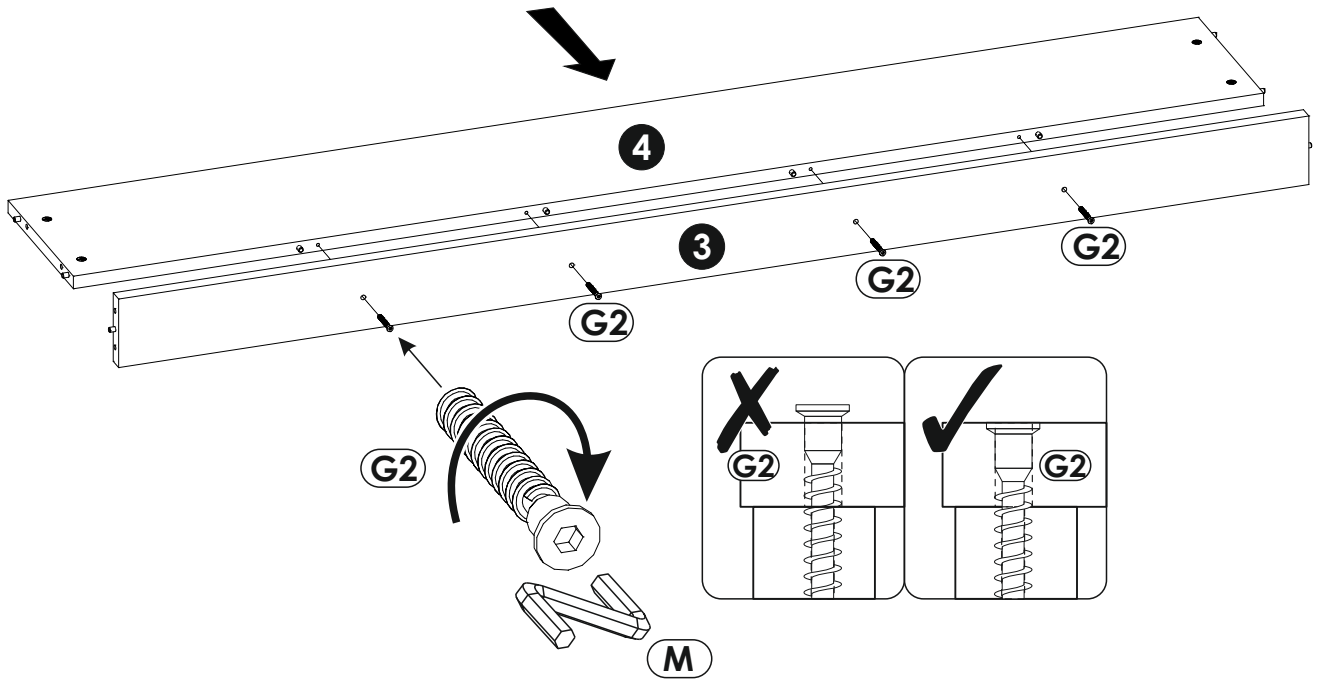
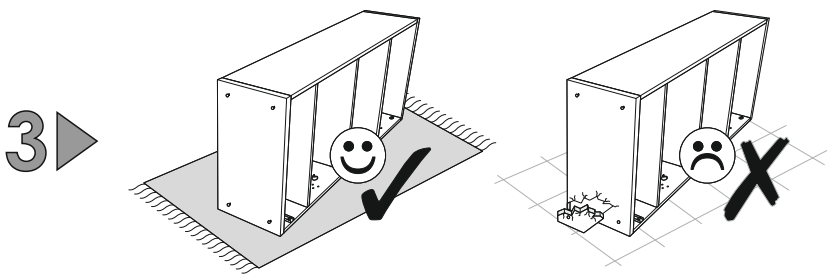
LYOZ01

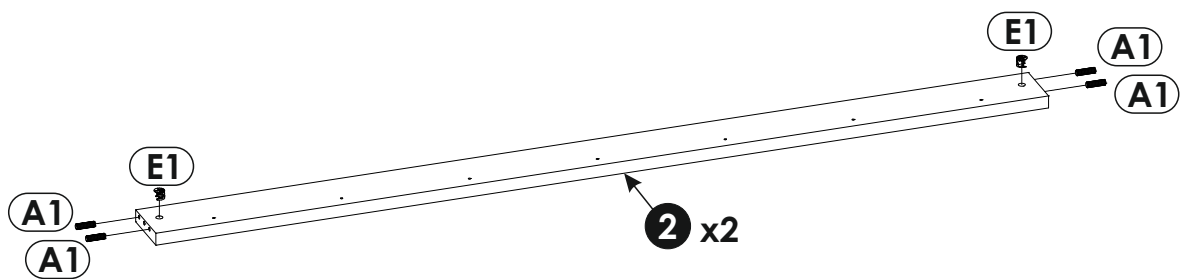
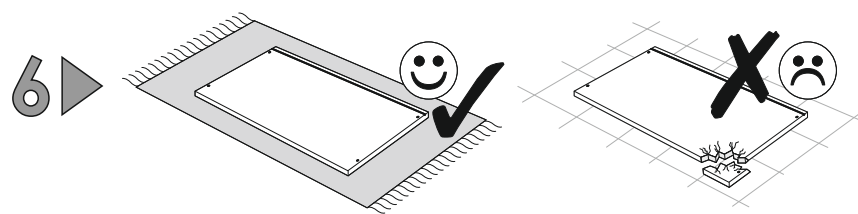
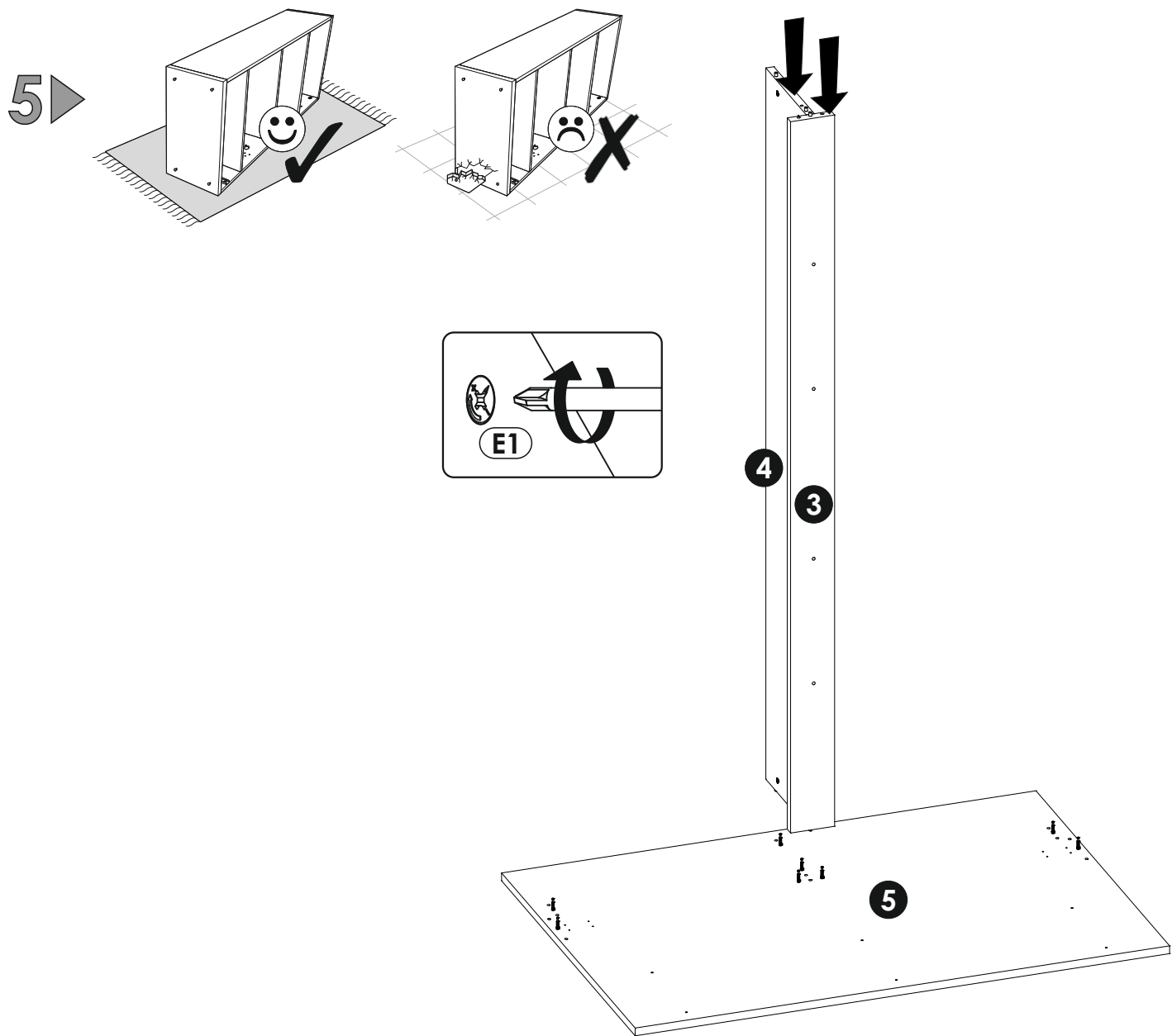


1	2010	180	25 x2	1/4
2	125	2010	28 x2	2/4
3	120	2010	25 x1	1/4
4	303	2010	22 x1	2/4
5	1456	1000	22 x1	3/4
6	1456	450	22 x1	3/4

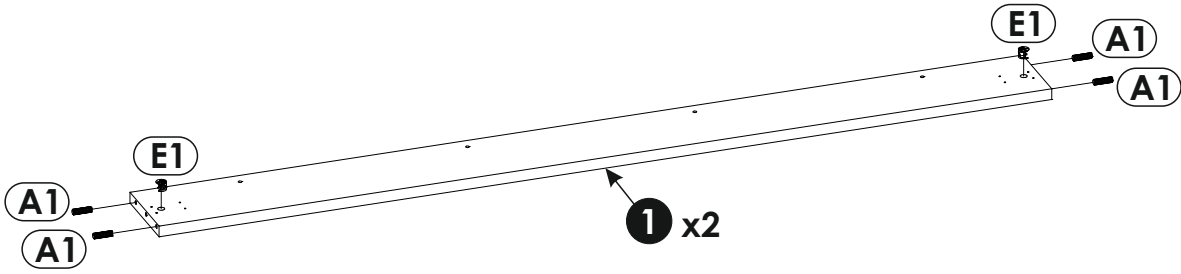
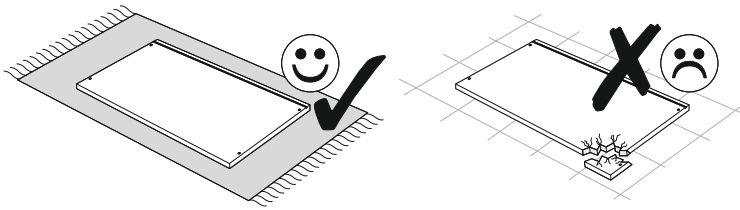




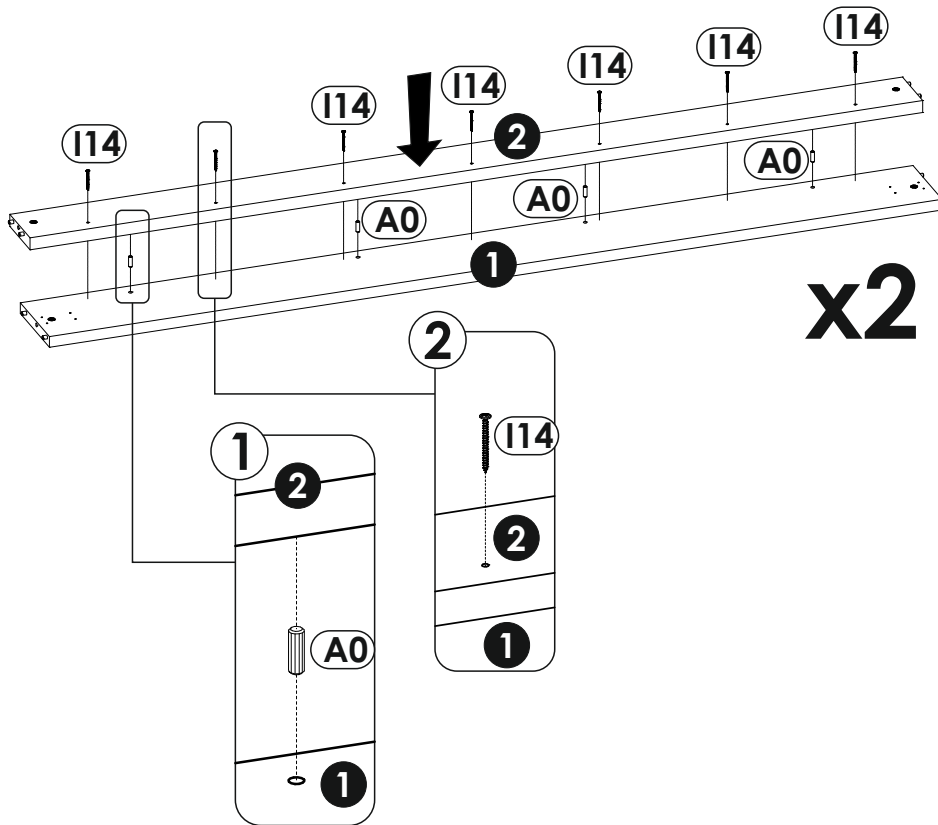
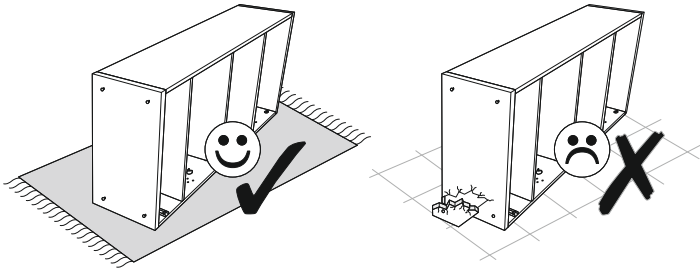




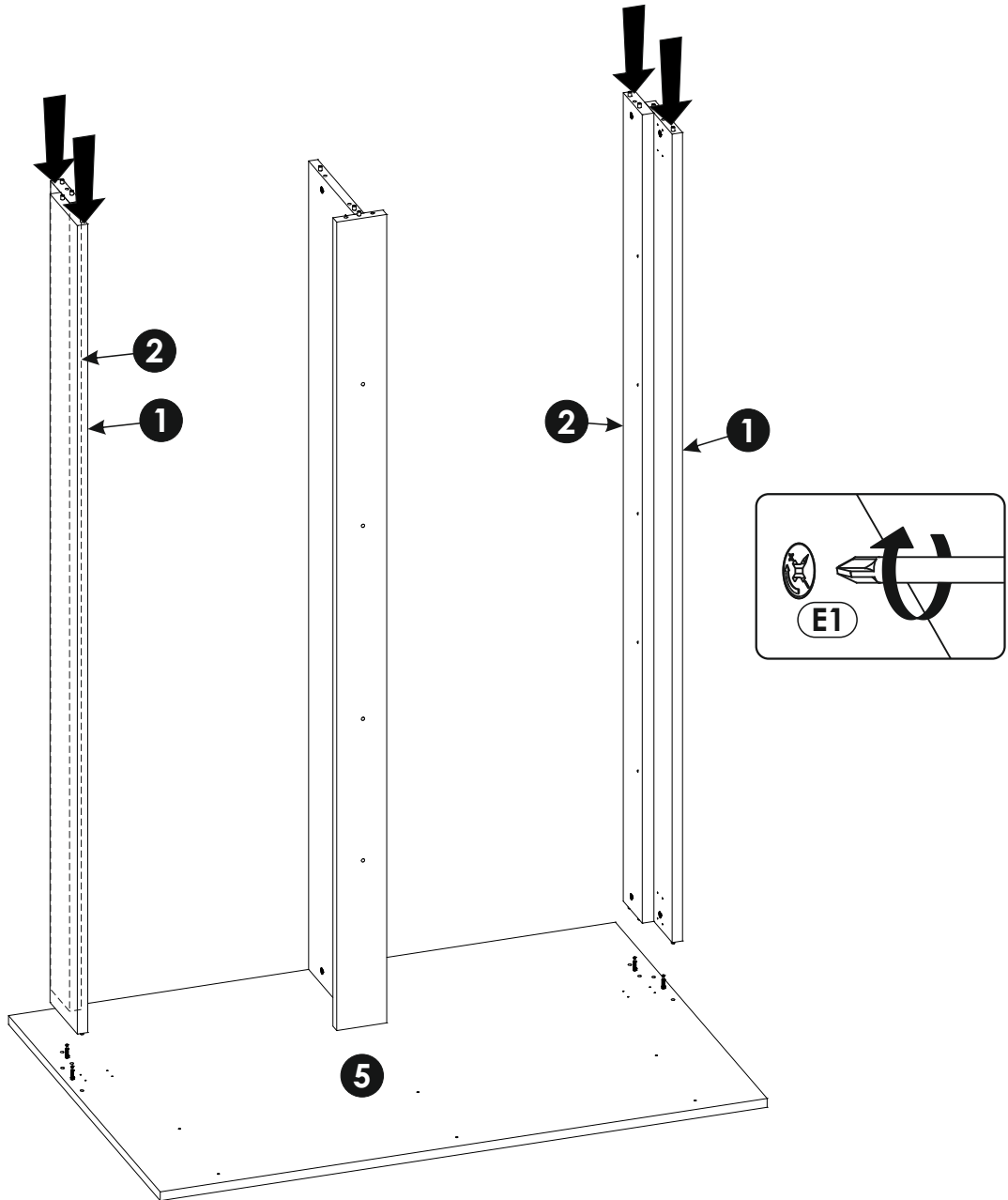
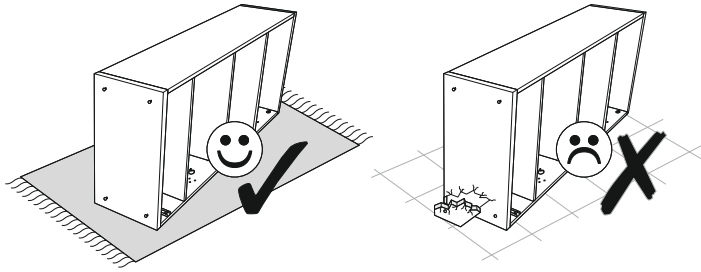
7 ▶



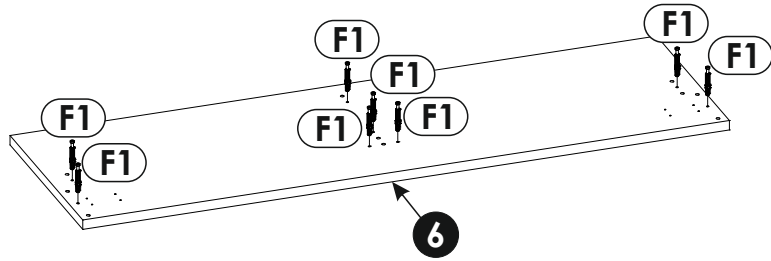
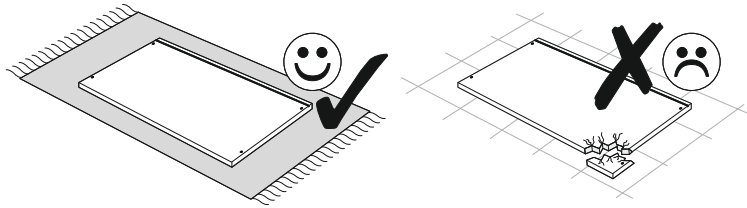
8 ▶



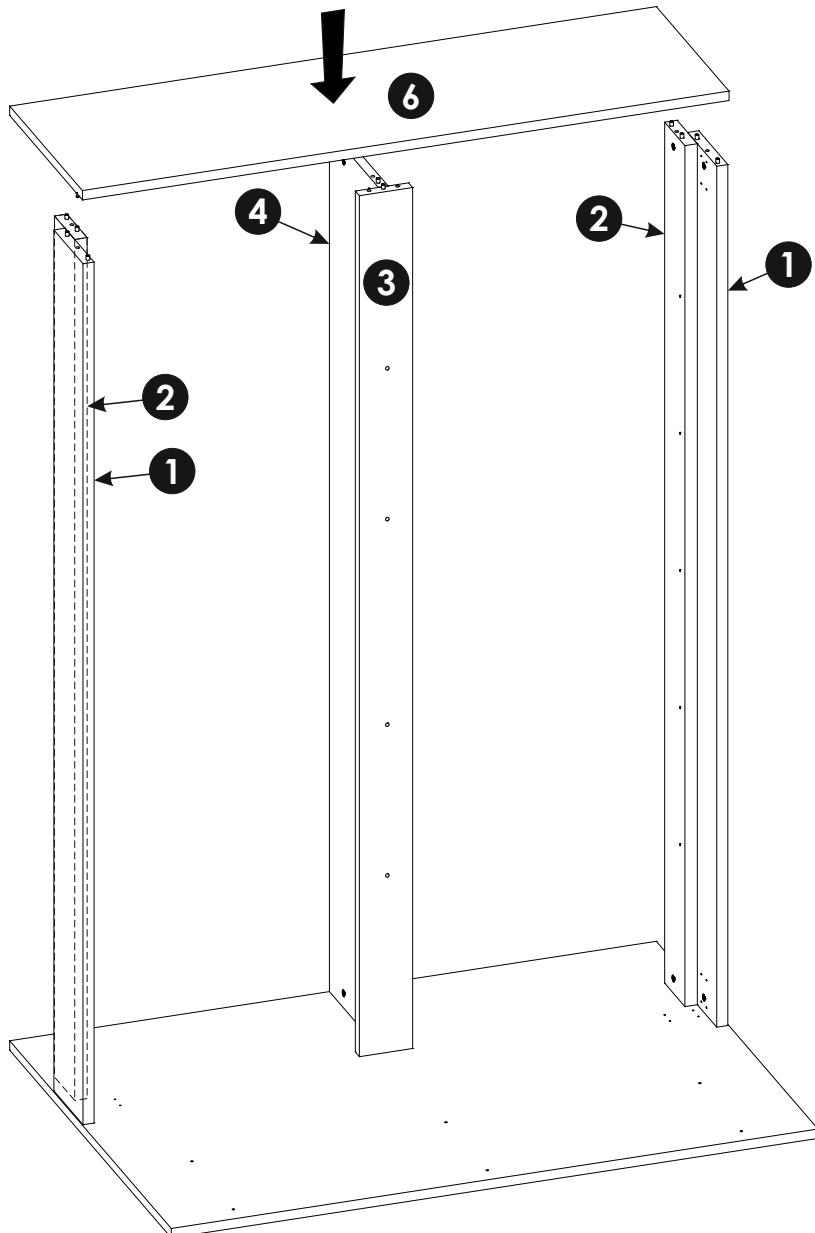
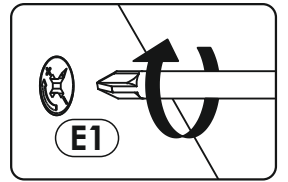
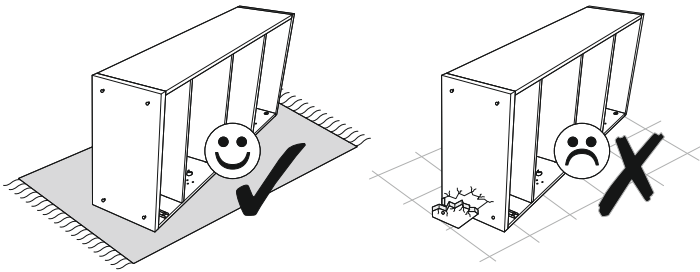
9 ▶



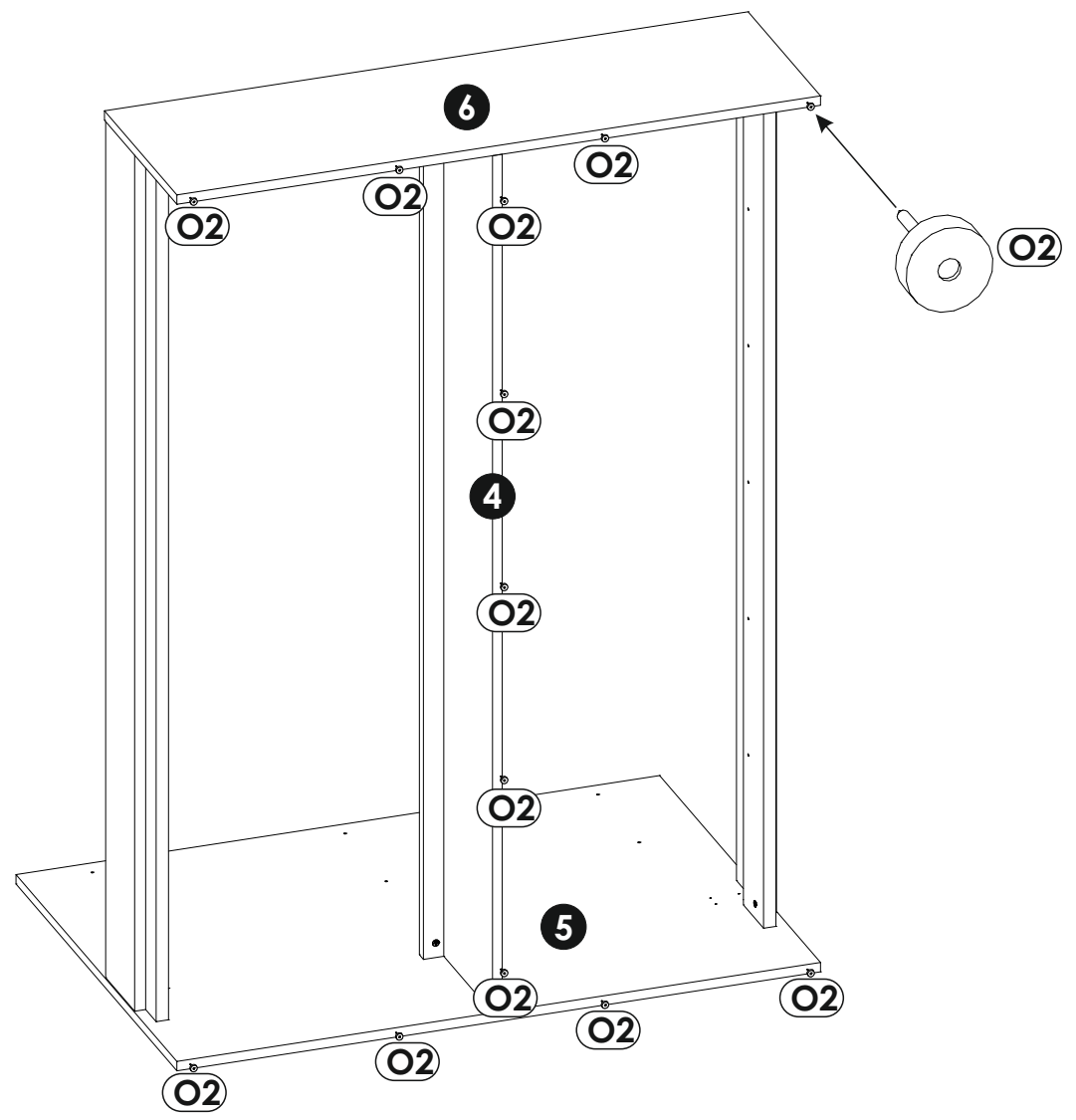
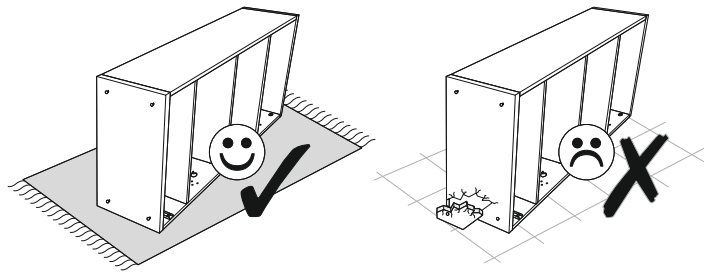
10 ▶



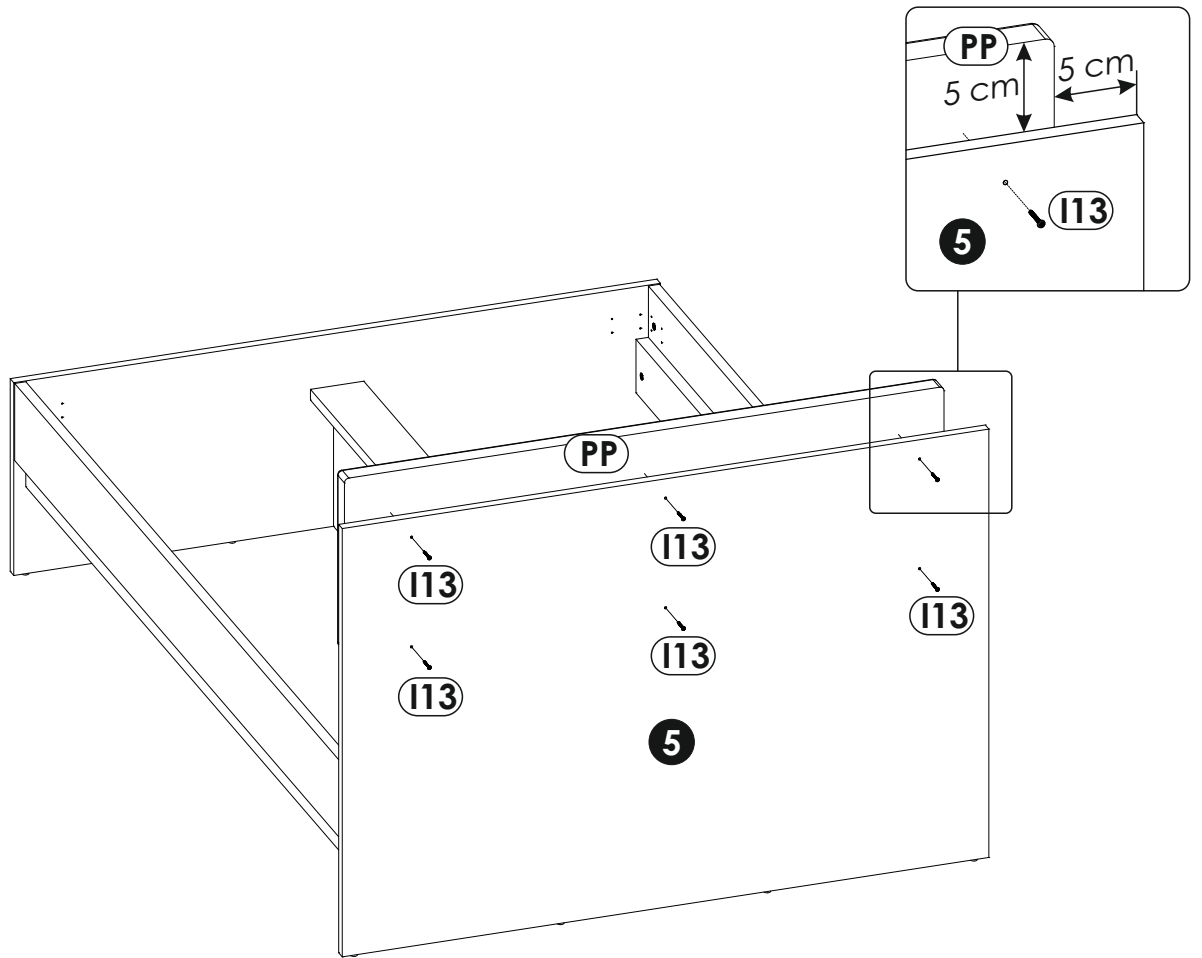
11 ▶



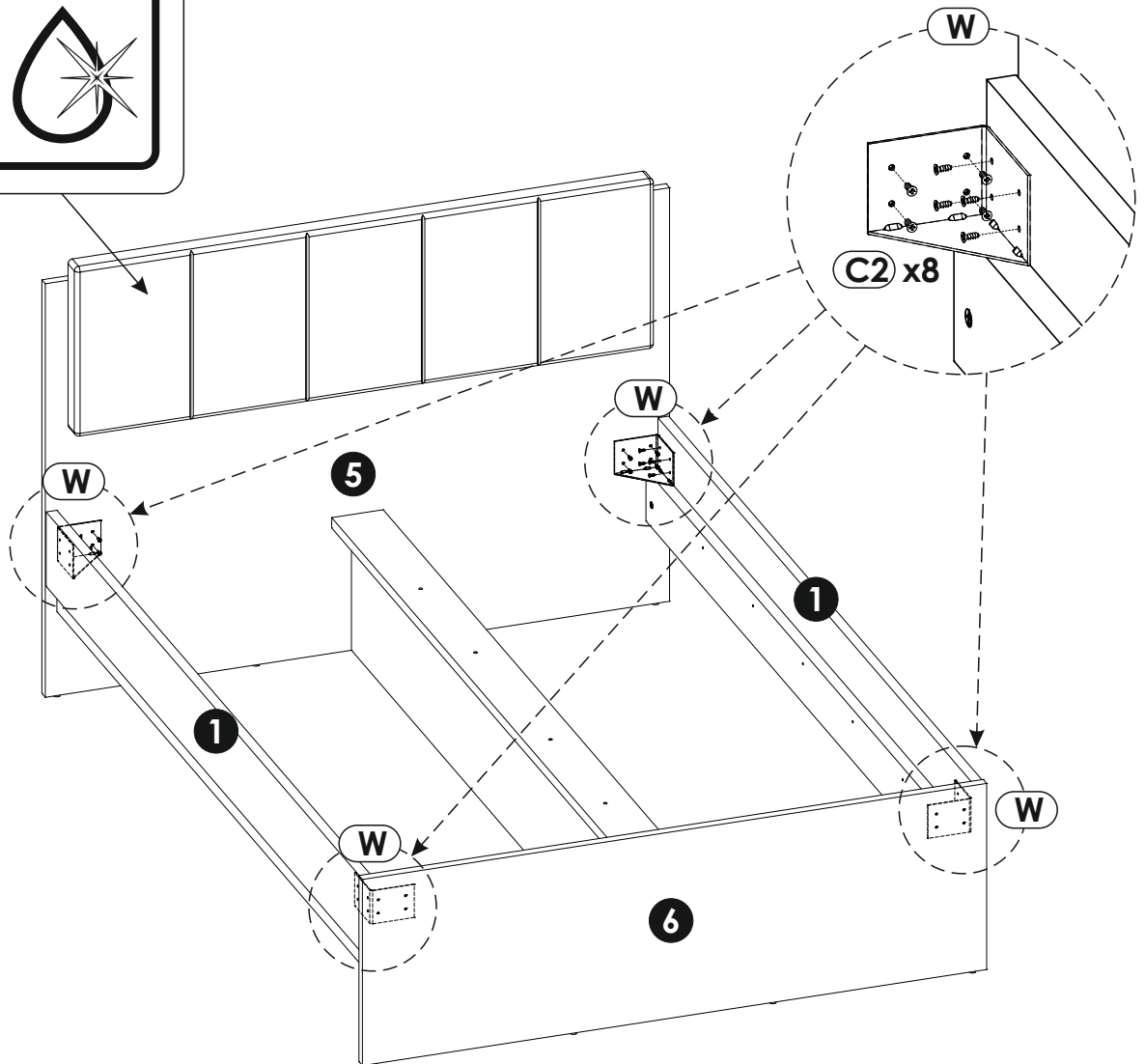
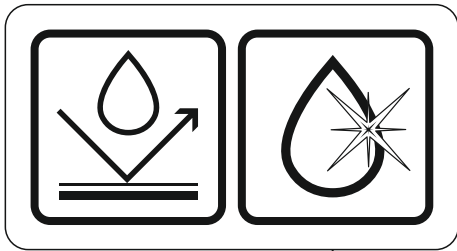
12 ▶

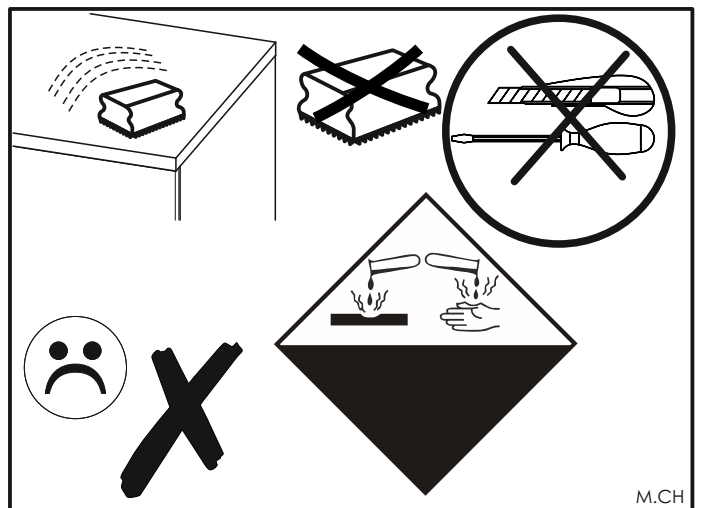
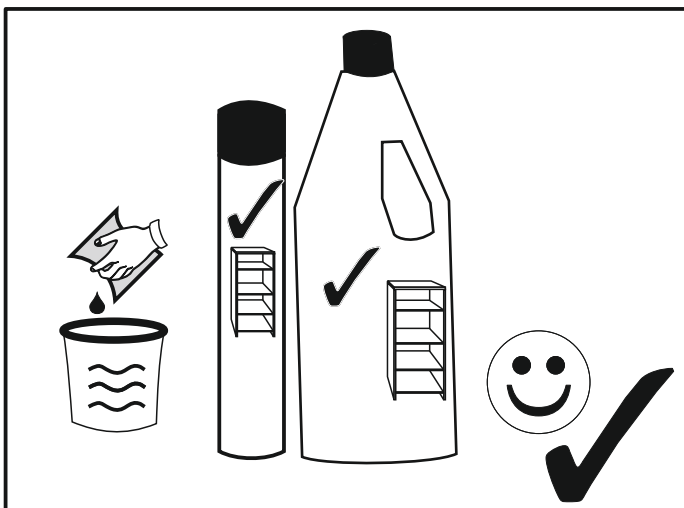
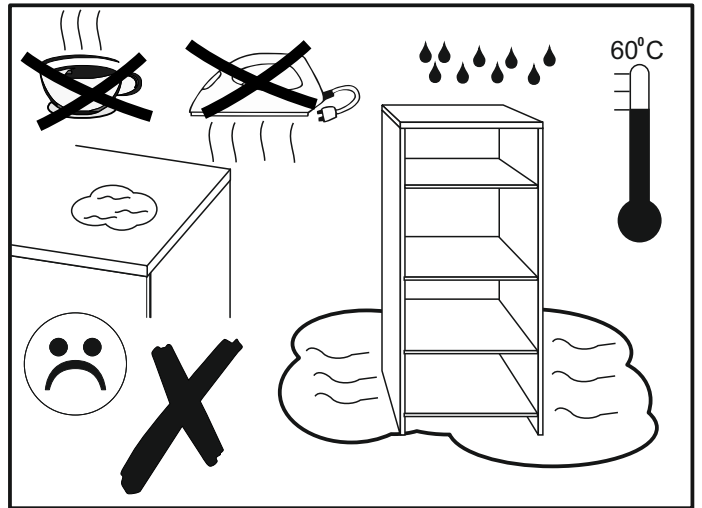
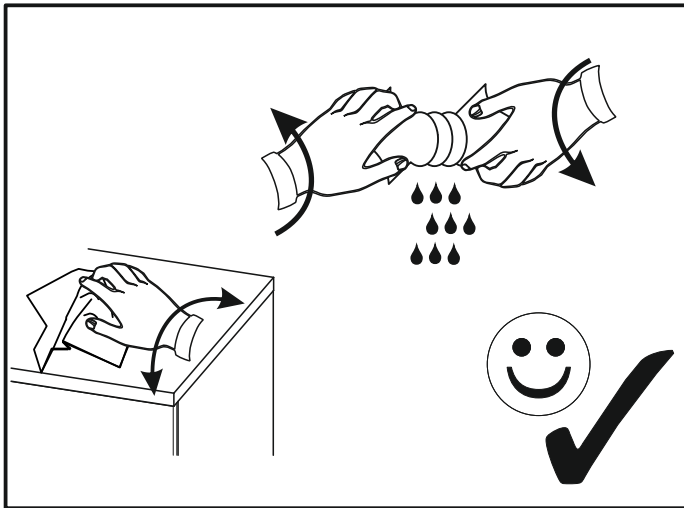
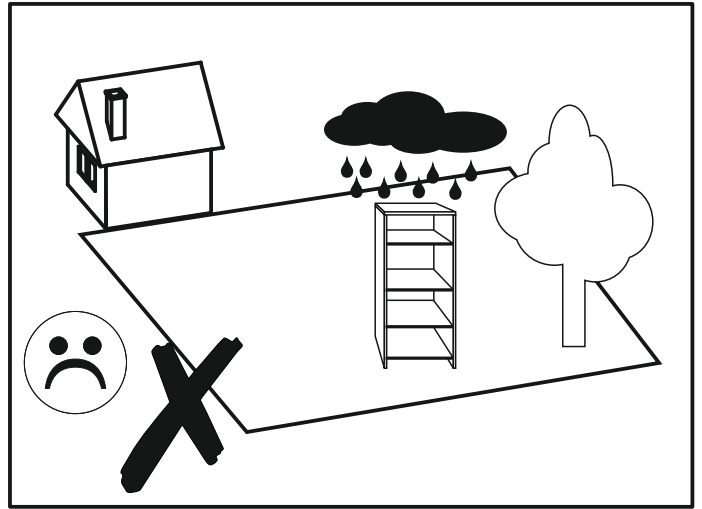
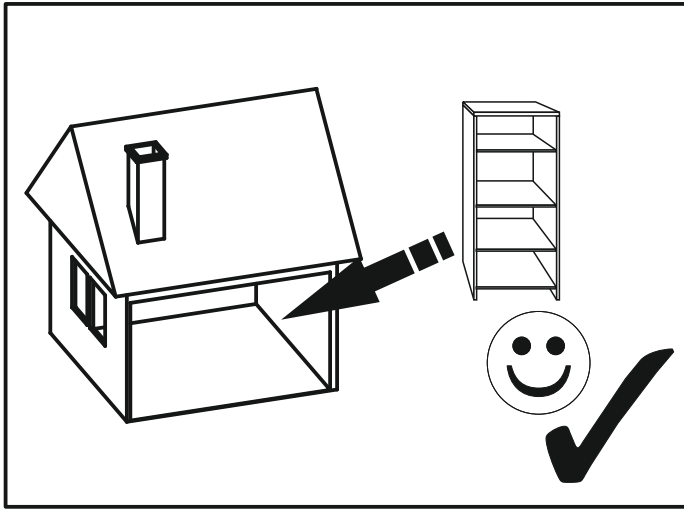


13▶



14▶





M.CH